

**3V 64M-BIT
SERIAL FLASH MEMORY WITH
DUAL/QUAD SPI & QPI**

Table of Contents

| | |
|--|----|
| FEATURES | 4 |
| GENERAL DESCRIPTIONS | 4 |
| 1. ORDERING INFORMATION | 6 |
| 2. BLOCK DIAGRAM | 7 |
| 3. CONNECTION DIAGRAMS | 8 |
| 4. SIGNAL DESCRIPTIONS | 10 |
| 4.1 Chip Select (/CS) | 10 |
| 4.2 Serial Data Input, Output and IOs (DI, DO and IO0, IO1, IO2, IO3) | 10 |
| 4.3 Write Protect (/WP) | 10 |
| 4.4 HOLD (/HOLD) | 10 |
| 4.5 Serial Clock (CLK) | 10 |
| 4.6 Reset (/RESET) | 10 |
| 5. FUNCTIONAL DESCRIPTIONS | 11 |
| 5.1 SPI / QPI Operations | 11 |
| 5.1.1 Standard SPI Instructions | 11 |
| 5.1.2 Dual SPI Instructions | 11 |
| 5.1.3 Quad SPI Instructions | 12 |
| 5.1.4 QPI Instructions | 12 |
| 5.1.5 Hold Function | 12 |
| 5.1.6 Software Reset & Hardware /RESET pin | 13 |
| 5.2 Write Protection | 14 |
| 5.2.1 Write Protect Features | 14 |
| 6 STATUS AND CONFIGURATION REGISTERS | 15 |
| 6.1 Status Registers | 15 |
| 7 INSTRUCTIONS | 22 |
| 7.1 Device ID and Instruction Set Tables | 22 |
| 7.1.1 Manufacturer and Device Identification | 22 |
| 7.1.2 Instruction Set Table 1 (Standard/Dual/Quad SPI Instructions) ⁽¹⁾ | 23 |
| 7.1.3 Instruction Set Table 2 (Standard/Dual/Quad SPI Instructions) ⁽¹⁾ | 24 |
| 7.1.4 Instruction Set Table 3 (QPI Instructions) ⁽¹⁴⁾ | 25 |
| 7.2 Instruction Descriptions | 27 |
| 7.2.1 Write Enable (06h) | 27 |
| 7.2.2 Write Enable for Volatile Status Register (50h) | 27 |
| 7.2.3 Write Disable (04h) | 28 |
| 7.2.4 Read Status Register-1 (05h), Status Register-2 (35h) & Status Register-3 (15h) | 28 |
| 7.2.5 Write Status Register-1 (01h), Status Register-2 (31h) & Status Register-3 (11h) | 30 |
| 7.2.6 Read Data (03h) | 32 |
| 7.2.7 Fast Read (0Bh) | 33 |
| 7.2.8 Fast Read Dual Output (3Bh) | 35 |
| 7.2.9 Fast Read Quad Output (6Bh) | 36 |
| 7.2.10 Fast Read Dual I/O (BBh) | 37 |
| 7.2.11 Fast Read Quad I/O (EBh) | 39 |
| 7.2.12 Word Read Quad I/O (E7h) | 42 |
| 7.2.13 Set Burst with Wrap (77h) | 44 |
| 7.2.14 Page Program (02h) | 45 |
| 7.2.15 Quad Input Page Program (32h) | 47 |
| 7.2.16 Quad Page Program (33h) | 48 |
| 7.2.17 Sector Erase (20h) | 49 |
| 7.2.18 32KB Block Erase (52h) | 50 |
| 7.2.19 64KB Block Erase (D8h) | 51 |

| | | |
|--------|--|-----|
| 7.2.20 | Chip Erase (C7h / 60h)..... | 52 |
| 7.2.21 | Erase / Program Suspend (75h)..... | 53 |
| 7.2.22 | Erase / Program Resume (7Ah)..... | 55 |
| 7.2.23 | Power-down (B9h)..... | 56 |
| 7.2.24 | Release Power-down / Device ID (ABh)..... | 57 |
| 7.2.25 | Read Manufacturer / Device ID (90h)..... | 59 |
| 7.2.26 | Read Manufacturer / Device ID Dual I/O (92h)..... | 60 |
| 7.2.27 | Read Manufacturer / Device ID Quad I/O (94h)..... | 61 |
| 7.2.28 | Read Unique ID Number (4Bh)..... | 62 |
| 7.2.29 | Read JEDEC ID (9Fh)..... | 63 |
| 7.2.30 | Read SFDP Register (5Ah)..... | 64 |
| 7.2.31 | Erase Security Registers (44h)..... | 77 |
| 7.2.32 | Program Security Registers (42h)..... | 78 |
| 7.2.33 | Read Security Registers (48h)..... | 79 |
| 7.2.34 | Set Read Parameters (C0h)..... | 80 |
| 7.2.35 | Burst Read with Wrap (0Ch)..... | 81 |
| 7.2.36 | Enter QPI Mode (38h)..... | 82 |
| 7.2.37 | Exit QPI Mode (FFh)..... | 83 |
| 7.2.38 | Enable Reset (66h) and Reset Device (99h)..... | 84 |
| 7.2.39 | Under deep power down mode-Deep Power-Down(79H)..... | 85 |
| 7.2.40 | Exit Ultra-Deep Power-Down..... | 85 |
| 8. | ELECTRICAL CHARACTERISTICS..... | 87 |
| 8.1 | Absolute Maximum Ratings ⁽¹⁾⁽²⁾ | 87 |
| 8.2 | Operating Ranges..... | 87 |
| 8.3 | Power-Up Power-Down Timing and Requirements ⁽¹⁾ | 88 |
| 8.4 | DC Electrical Characteristics..... | 90 |
| 8.5 | AC Measurement Conditions ⁽¹⁾ | 92 |
| 8.6 | AC Electrical Characteristics ⁽⁵⁾ | 93 |
| 8.7 | Serial Output Timing..... | 97 |
| 8.8 | Serial Input Timing..... | 97 |
| 8.9 | /HOLD Timing..... | 97 |
| 8.10 | /WP Timing..... | 97 |
| 9. | PACKAGE SPECIFICATIONS..... | 98 |
| 9.1 | SOP 208mil 8L (Package Code H)..... | 98 |
| 9.2 | VSOP 208mil 8L (Package Code R)..... | 99 |
| 9.3 | USON 4x4 8L (Package Code U3)..... | 100 |
| 9.4 | WSON 5x6 8L (Package Code W)..... | 101 |
| 9.5 | TFBGA 6x8 24ball (Package Code B, 6x4 ball array)..... | 102 |
| 9.6 | TFBGA 6x8 24ball (Package Code B2, 5x5 ball array)..... | 103 |
| | REVISIONS LIST..... | 104 |
| | IMPORTANT NOTICE..... | 105 |

FEATURES

- **New Family of SpiFlash Memories**
 - XM25QH64C: 64M-bit / 8M-byte
 - Standard SPI: CLK, /CS, DI, DO, /WP, /Hold
 - Dual SPI: CLK, /CS, IO₀, IO₁, /WP, /Hold
 - Quad SPI: CLK, /CS, IO₀, IO₁, IO₂, IO₃
 - QPI: CLK, /CS, IO₀, IO₁, IO₂, IO₃
- **Highest Performance Serial Flash**
 - 133MHz Single, Dual/Quad SPI clocks
 - Configurable dummy cycle number for fast read operation
 - More than 100,000 erase/program cycles
 - More than 20-year data retention
 - Burst Read with 8/16/32/64 Byte Wrap
- **Efficient “Continuous Read” and QPI Mode**
 - Continuous Read with 8/16/32/64-Byte Wrap
 - Quad Peripheral Interface (QPI) reduces instruction overhead
 - Allows true XIP (execute in place) operation
- **High performance program/erase speed**
 - Page program time: 0.5ms typical
 - Sector erase time: 40ms typical
 - 32KB Block erase time 120ms typical
 - 64KB Block erase time 250ms typical
 - Chip erase time: 25 seconds typical
- **Wide Power Range, Wide Temperature Range**
 - Full voltage range: 2.3-3.6V
 - 18mA maximum active read current
 - 5μA maximum Ultra deep power down current
 - -40 °C to +105 °C operating range
- **Flexible Architecture with 4KB sectors**
 - Uniform Sector/Block Erase (4K/32K/64K-Byte)
 - Program 1 to 256 byte per programmable page
 - Erase/Program Suspend & Resume
- **Advanced Security Features**
 - Software and Hardware Write-Protect
 - Power Supply Lock-Down and OTP protection
 - Top/Bottom, Complement array protection
 - 64-Bit Unique ID for each device
 - Support Serial Flash Discoverable Parameters (SFDP) signature
 - 3 sets of OTP lockable 256 byte security pages
 - Volatile & Non-volatile Status Register Bits
- **Space Efficient Packaging**
 - SOP / VSOP 208mil 8L
 - USON 4x4 8L
 - WSON 5x6 8L
 - TFBGA 6x8 24ball
 - WLCSP 8ball
 - Contact XMC for KGD and other options

GENERAL DESCRIPTIONS

The XM25QH64C (64M-bit) Serial Flash memory provides a storage solution for systems with limited space, pins and power. The 25Q series offers flexibility and performance well beyond ordinary Serial Flash devices. They are ideal for code shadowing to RAM, executing code directly from Dual/Quad SPI (XIP) and storing voice, text and data. The device operates on a single 2.3V to 3.6V power supply with current consumption as low as 1 μA for ultra-deep power-down. All devices are offered in space- saving packages.

The XM25QH64C array is organized into 32,768 programmable pages of 256-bytes each. Up to 256 bytes can be programmed at a time. Pages can be erased in groups of 16 (4KB sector erase), groups of 128 (32KB block erase), groups of 256 (64KB block erase) or the entire chip (chip erase). The XM25QH64C has 2,048 erasable sectors and 128 erasable blocks respectively. The small 4KB sectors allow for greater flexibility in applications that require data and parameter storage. (See Figure 2.)

The XM25QH64C support the standard Serial Peripheral Interface (SPI), Dual/Quad I/O SPI as well as 2-clocks instruction cycle Quad Peripheral Interface (QPI): Serial Clock, Chip Select, Serial Data I/O0 (DI), I/O1 (DO), I/O2 (/WP), and I/O3 (/HOLD). SPI clock frequencies of up to 133MHz are supported allowing equivalent clock rates of 266MHz for Dual I/O and 532Mhz for Quad I/O when using the Fast Read Dual/Quad I/O and QPI instructions. These transfer rates can outperform standard Asynchronous 8 and 16-bit Parallel Flash memories. The Continuous Read Mode allows for efficient memory access with as few as 8-clocks of instruction-overhead to read a 24-bit address, allowing true XIP (execute in place) operation.

A Hold pin, Write Protect pin and programmable write protection, with top or bottom array control, provide further control flexibility. Additionally, the device supports JEDEC standard manufacturer and device ID and SFDP Register, a 64-bit Unique Serial Number and three 256-bytes Security Registers.

Read performance Comparison Table

| Numbers of Dummy Cycles | Fast Read (MHZ) | Fast Read Dual Output (MHZ) | Fast Read Quad Output (MHZ) | Fast Read Dual I/O (MHZ) | Word Read Quad I/O(MHZ) | Fast Read Quad I/O (MHZ) |
|-------------------------|-----------------|-----------------------------|-----------------------------|--------------------------|-------------------------|--------------------------|
| 4 | - | - | - | 108* | 108* | 54 |
| 6 | - | - | - | - | - | 108* |
| 8 | 133* | 133* | 133* | 133 | 133 | 133 |

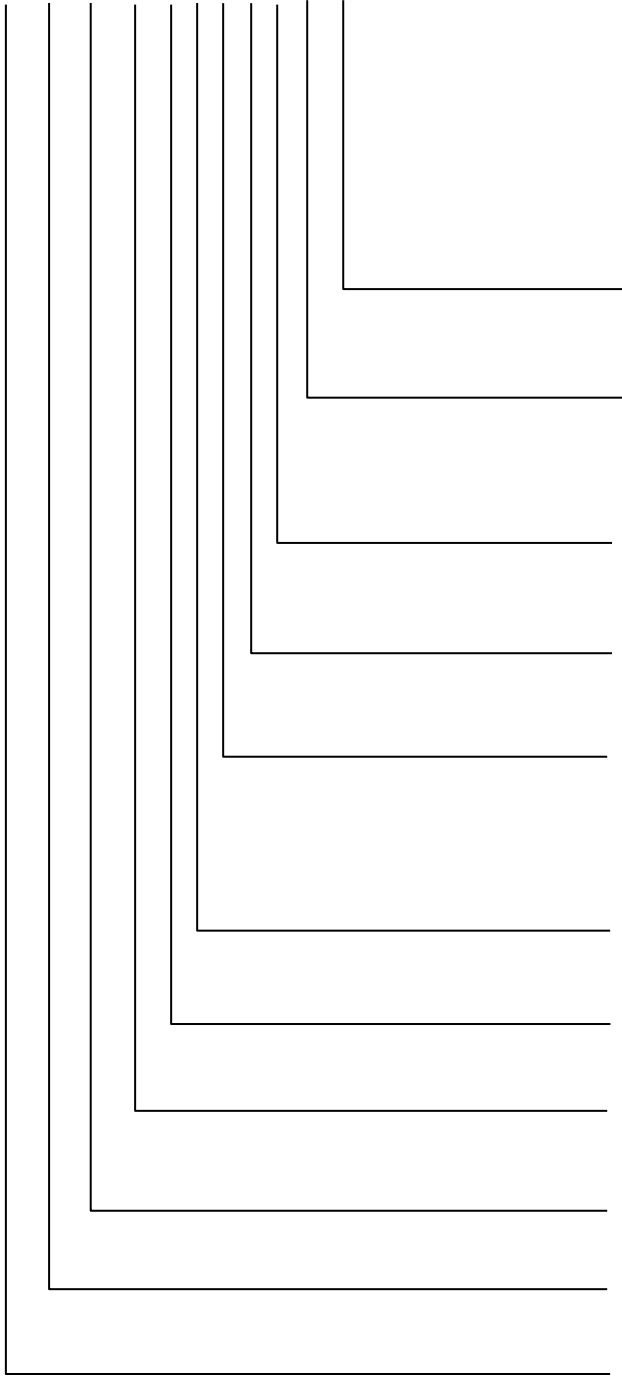
Notes:

1.* mean default status.

1. ORDERING INFORMATION

The ordering part number is formed by a valid combination of the following:

XM 25 QH 64 C X X X X X X X



Special Option (Default Driving Strength) ^[1]

F: 100% S: 75% (default)
H: 50% Q: 25%

Speed Option^[1]

08: 133MHz

Packing Options ^[1]

U: Tube
T: Tape and Reel
R: Tray

QE Code

G: Green Package with QE=0
Q: Green Package with QE=1 fix(default)

Temperature Range

I: Industrial (-40 °C to +85 °C)
P: Industrial Plus (-40 °C to +105 °C)

Package Code

H: SOP 208mil 8L; R: VSOP 208mil 8L
W: WSON 5x6 8L; U3: USON 4x4 8L
B: TFBGA 6x8 24ball (6*4 ball array)
B2: TFBGA 6x8 24ball (5*5 ball array)
V: WLCSP 8ball

Version

C: C version

Device Density

64: 64Mbit

Series

QH: 2.3~3.6V, 4KB uniform-sector, Quad Mode

Product Family

25: SPI Interface Flash

Company Prefix

Wuhan Xinxin Semiconductor Manufacturing. Corp.

Note:

- 1: This option code is not included on the part marking.
- 2: If UID needed, please contact XMC sales.

2. BLOCK DIAGRAM

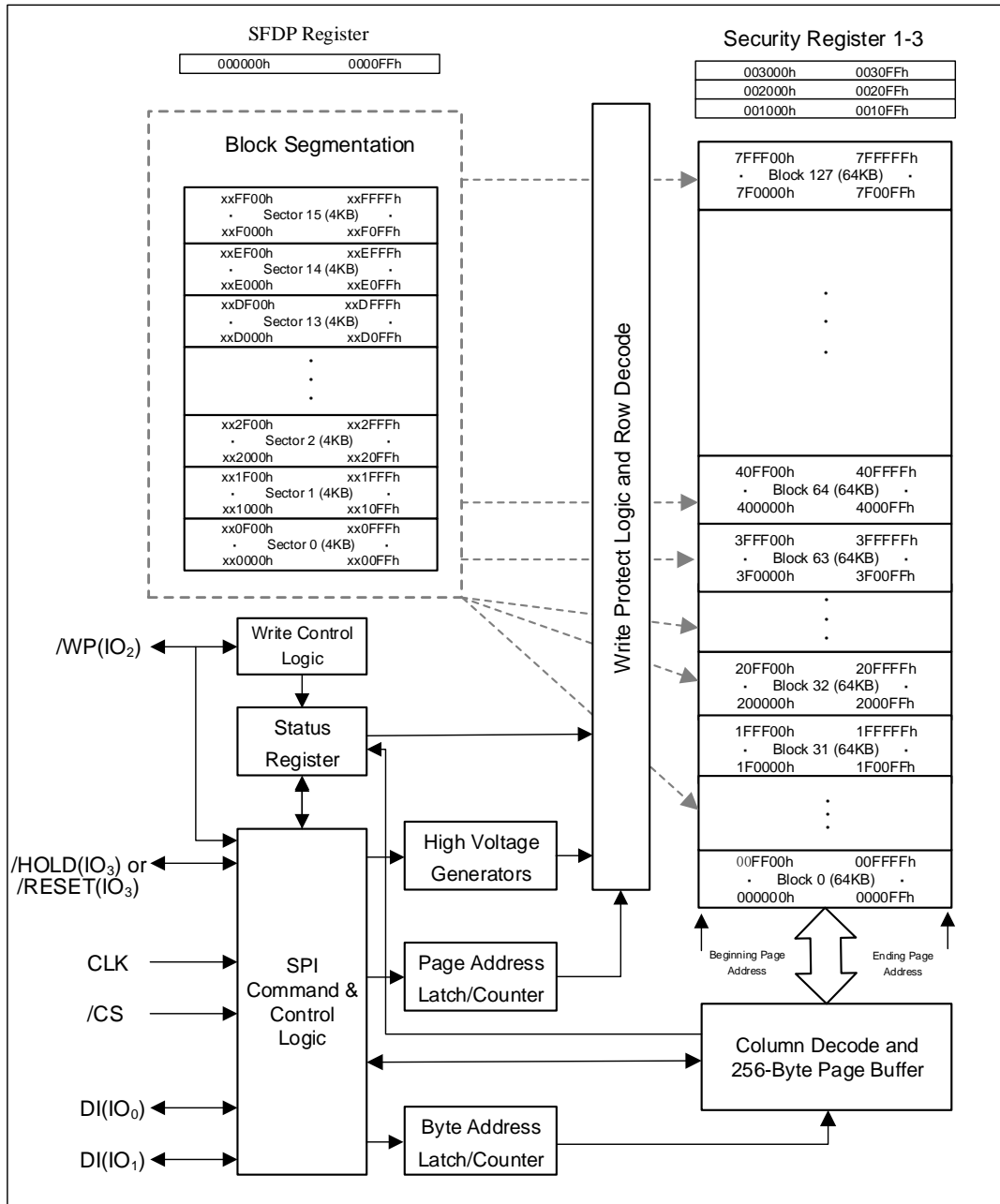


Figure 2. XM25QH64C Serial Flash Memory Block Diagram

3. CONNECTION DIAGRAMS

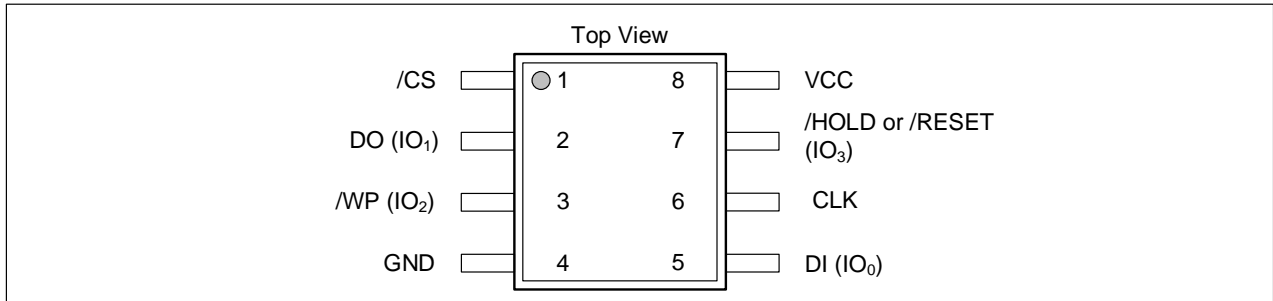


Figure 3.1a. 8-pin SOP / VSOP 208-mil (Package Code H, R)

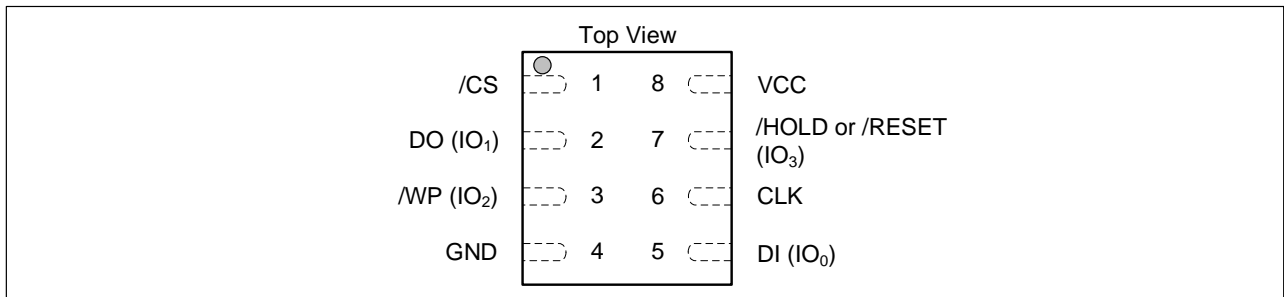


Figure 3.1b. 8-pad WSON 5x6-mm (Package Code W)/8-pad USON 4x4-mm (Package Code U3)

| PIN NO. | PIN NAME | I/O | FUNCTION |
|---------|-----------------------|-----|--|
| 1 | /CS | I | Chip Select Input |
| 2 | DO (IO1) | I/O | Data Output (Data Input Output 1) ⁽¹⁾ |
| 3 | /WP (IO2) | I/O | Write Protect Input (Data Input Output 2) ⁽²⁾ |
| 4 | GND | | Ground |
| 5 | DI (IO0) | I/O | Data Input (Data Input Output 0) ⁽¹⁾ |
| 6 | CLK | I | Serial Clock Input |
| 7 | /HOLD or /RESET (IO3) | I/O | Hold or Reset Input (Data Input Output 3) ⁽²⁾ |
| 8 | VCC | | Power Supply |

Notes:

1. IO0 and IO1 are used for Standard and Dual SPI instructions
2. IO0 – IO3 are used for Quad SPI instructions, /WP & /HOLD (or /RESET) functions are only available for Standard/Dual SPI.

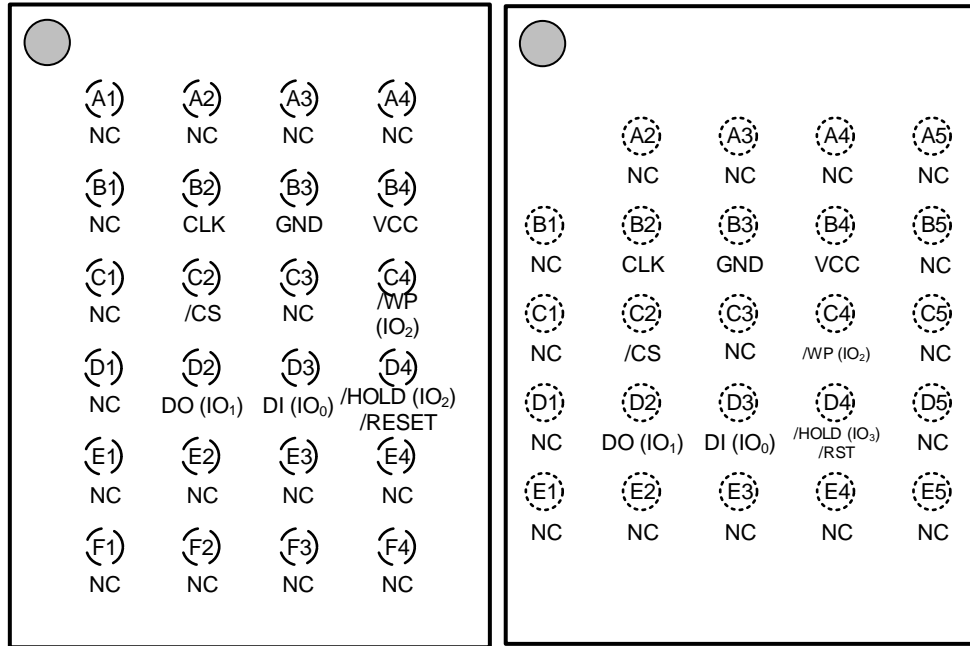


Figure 3.1c. 24-ball TFBGA 8x6-mm, 6x4 and 5x5 (Package Code B, B2)

| BALL NO. | PIN NAME | I/O | FUNCTION |
|----------|-----------------------|-----|--|
| B2 | CLK | I | Serial Clock Input |
| B3 | GND | | Ground |
| B4 | VCC | | Power Supply |
| C2 | /CS | I | Chip Select Input |
| C4 | /WP (IO2) | I/O | Write Protect Input (Data Input Output 2) ⁽²⁾ |
| D2 | DO (IO1) | I/O | Data Output (Data Input Output 1) ⁽¹⁾ |
| D3 | DI (IO0) | I/O | Data Input (Data Input Output 0) ⁽¹⁾ |
| D4 | /HOLD or /RESET (IO3) | I/O | Hold or Reset Input (Data Input Output 3) ⁽²⁾ |
| Multiple | NC | | No Connect |

Notes:

1. IO0 and IO1 are used for Standard and Dual SPI instructions
2. IO0 – IO3 are used for Quad SPI instructions, /WP & /HOLD (or /RESET) functions are only available for Standard/Dual SPI.

4. SIGNAL DESCRIPTIONS

4.1 Chip Select (/CS)

The SPI Chip Select (/CS) pin enables and disables device operation. When /CS is high the device is deselected and the Serial Data Output (DO, or IO0, IO1, IO2, IO3) pins are at high impedance. When deselected, the device's power consumption will be at standby levels unless an internal erase, program or write status register cycle is in progress. When /CS is brought low the device will be selected, power consumption will increase to active levels and instructions can be written to and data read from the device. After power-up, /CS must transition from high to low before a new instruction will be accepted. The /CS input must track the VCC supply level at power-up and power-down (see "Write Protection" and Figure 45). If needed a pull-up resistor on the /CS pin can be used to accomplish this.

4.2 Serial Data Input, Output and IOs (DI, DO and IO0, IO1, IO2, IO3)

The XM25QH64C supports standard SPI, Dual SPI and Quad SPI operation. Standard SPI instructions use the unidirectional DI (input) pin to serially write instructions, addresses or data to the device on the rising edge of the Serial Clock (CLK) input pin. Standard SPI also uses the unidirectional DO (output) to read data or status from the device on the falling edge of CLK.

Dual and Quad SPI instructions use the bidirectional IO pins to serially write instructions, addresses or data to the device on the rising edge of CLK and read data or status from the device on the falling edge of CLK. Quad SPI instructions require the non-volatile Quad Enable bit (QE) in Status Register-2 to be set. When QE=1, the /WP pin becomes IO2 and /HOLD pin becomes IO3.

4.3 Write Protect (/WP)

The Write Protect (/WP) pin can be used to prevent the Status Register from being written. Used in conjunction with the Status Register's Block Protect (CMP, SEC, TB, BP2, BP1 and BP0) bits and Status Register Protect (SRP) bits, a portion as small as a 4KB sector or the entire memory array can be hardware protected. The /WP pin is active low. When the QE bit of Status Register-2 is set for Quad I/O, the /WP pin function is not available since this pin is used for IO2. See Figure 1a-c for the pin configuration of Quad I/O operation.

4.4 HOLD (/HOLD)

The /HOLD pin allows the device to be paused while it is actively selected. When /HOLD is brought low, while /CS is low, the DO pin will be at high impedance and signals on the DI and CLK pins will be ignored (don't care). When /HOLD is brought high, device operation can resume. The /HOLD function can be useful when multiple devices are sharing the same SPI signals. The /HOLD pin is active low. When the QE bit of Status Register-2 is set for Quad I/O, the /HOLD pin function is not available since this pin is used for IO3. See Figure 1a-c for the pin configuration of Quad I/O operation.

4.5 Serial Clock (CLK)

The SPI Serial Clock Input (CLK) pin provides the timing for serial input and output operations. ("See SPI Operations")

4.6 Reset (/RESET)

The /RESET pin allows the device to be reset by the controller. For 8-pin packages, when QE=0, the IO3 pin can be configured either as a /HOLD pin or as a /RESET pin depending on Status Register setting. When QE=1, the /HOLD or /RESET function is not available for 8-pin configuration.

5. FUNCTIONAL DESCRIPTIONS

5.1 SPI / QPI Operations

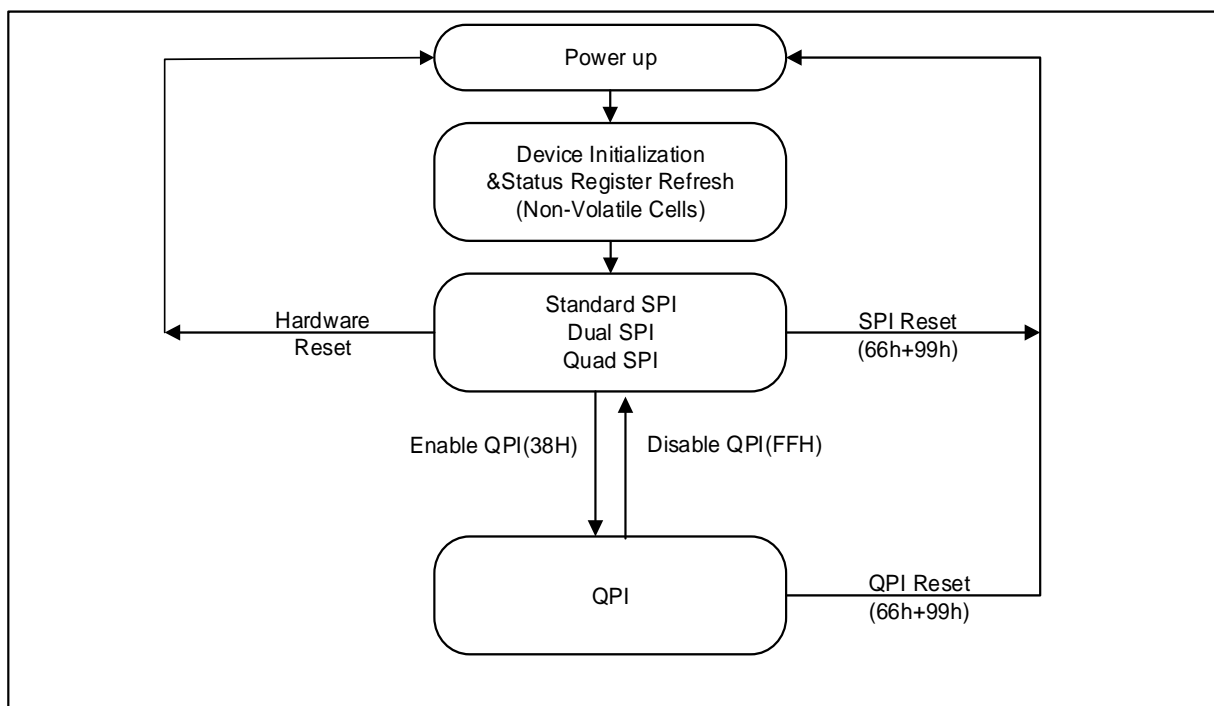


Figure 3. XM25QH64C Serial Flash Memory Operation Diagram

5.1.1 Standard SPI Instructions

The XM25QH64C is accessed through an SPI compatible bus consisting of four signals: Serial Clock (CLK), Chip Select (/CS), Serial Data Input (DI) and Serial Data Output (DO). Standard SPI instructions use the DI input pin to serially write instructions, addresses or data to the device on the rising edge of CLK. The DO output pin is used to read data or status from the device on the falling edge of CLK.

SPI bus operation Mode 0 (0,0) and 3 (1,1) are supported. The primary difference between Mode 0 and Mode 3 concerns the normal state of the CLK signal when the SPI bus master is in standby and data is not being transferred to the Serial Flash. For Mode 0, the CLK signal is normally low on the falling and rising edges of /CS. For Mode 3, the CLK signal is normally high on the falling and rising edges of /CS.

5.1.2 Dual SPI Instructions

The XM25QH64C supports Dual SPI operation when using instructions such as “Fast Read Dual Output (3Bh)” and “Fast Read Dual I/O (BBh)”. These instructions allow data to be transferred to or from the device at two to three times the rate of ordinary Serial Flash devices. The Dual SPI Read instructions are ideal for quickly downloading code to RAM upon power-up (code-shadowing) or for executing non-speed-critical code directly from the SPI bus (XIP). When using Dual SPI instructions, the DI and DO pins become bidirectional I/O pins: IO0 and IO1.

5.1.3 Quad SPI Instructions

The XM25QH64C supports Quad SPI operation when using instructions such as “Fast Read Quad Output (6Bh)”, “Fast Read Quad I/O (EBh)”, and “Word Read Quad I/O (E7h)”. These instructions allow data to be transferred to or from the device four to six times the rate of ordinary Serial Flash. The Quad Read instructions offer a significant improvement in continuous and random access transfer rates allowing fast code-shadowing to RAM or execution directly from the SPI bus (XIP). When using Quad SPI instructions the DI and DO pins become bidirectional IO0 and IO1, and the /WP and /HOLD pins become IO2 and IO3 respectively. Quad SPI instructions require the non-volatile Quad Enable bit (QE) in Status Register-2 to be set.

5.1.4 QPI Instructions

The XM25QH64C supports Quad Peripheral Interface (QPI) operations only when the device is switched from Standard/Dual/Quad SPI mode to QPI mode using the “Enter QPI (38h)” instruction. The typical SPI protocol requires that the byte-long instruction code being shifted into the device only via DI pin in eight serial clocks. The QPI mode utilizes all four IO pins to input the instruction code, thus only two serial clocks are required. This can significantly reduce the SPI instruction overhead and improve system performance in an XIP environment. Standard/Dual/Quad SPI mode and QPI mode are exclusive. Only one mode can be active at any given time. “Enter QPI (38h)” and “Exit QPI (FFh)” instructions are used to switch between these two modes. Upon power-up or after a software reset using “Reset (99h)” instruction, the default state of the device is Standard/Dual/Quad SPI mode. To enable QPI mode, the non-volatile Quad Enable bit (QE) in Status Register-2 is required to be set. When using QPI instructions, the DI and DO pins become bidirectional IO0 and IO1, and the /WP and /HOLD pins become IO2 and IO3 respectively. See Figure 3 for the device operation modes.

5.1.5 Hold Function

For Standard SPI and Dual SPI operations, the /HOLD signal allows the XM25QH64C operation to be paused while it is actively selected (when /CS is low). The /HOLD function may be useful in cases where the SPI data and clock signals are shared with other devices. For example, consider if the page buffer was only partially written when a priority interrupt requires use of the SPI bus. In this case the /HOLD function can save the state of the instruction and the data in the buffer so programming can resume where it left off once the bus is available again. The /HOLD function is only available for standard SPI and Dual SPI operation, not during Quad SPI or QPI. The Quad Enable Bit QE in Status Register-2 is used to determine if the pin is used as /HOLD pin or data I/O pin. When QE=0, the pin is /HOLD, when QE=1(factory default), the pin will become an I/O pin, /HOLD function is no longer available.

To initiate a /HOLD condition, the device must be selected with /CS low. A /HOLD condition will activate on the falling edge of the /HOLD signal if the CLK signal is already low. If the CLK is not already low the /HOLD condition will activate after the next falling edge of CLK. The /HOLD condition will terminate on the rising edge of the /HOLD signal if the CLK signal is already low. If the CLK is not already low the /HOLD condition will terminate after the next falling edge of CLK. During a /HOLD condition, the Serial Data Output (DO) is high impedance, and Serial Data Input (DI) and Serial Clock (CLK) are ignored. The Chip Select (/CS) signal should be kept active (low) for the full duration of the /HOLD operation to avoid resetting the internal logic state of the device.

5.1.6 Software Reset & Hardware /RESET pin

The XM25QH64C can be reset to the initial power-on state by a software Reset sequence, either in SPI mode or QPI mode. This sequence must include two consecutive commands: Enable Reset (66h) & Reset (99h). If the command sequence is successfully accepted, the device will take approximately 28 μ S (tSR) to reset. No command will be accepted during the reset period.

For the WSON-8 and TFBGA package types, XM25QH64C can also be configured to utilize a hardware /RESET pin. The HOLD/RST bit in the Status Register-3 is the configuration bit for /HOLD pin function or RESET pin function. When HOLD/RST=0 (factory default), the pin acts as a /HOLD pin as described above; when HOLD/RST=1, the pin acts as a /RESET pin. Drive the /RESET pin low for a minimum period of ~1 μ s (tRESET*) will reset the device to its initial power-on state. Any on-going Program/Erase operation will be interrupted and data corruption may happen. While /RESET is low, the device will not accept any command input.

If QE bit is set to 1, the /HOLD or /RESET function will be disabled, the pin will become one of the four data I/O pins.

Hardware /RESET pin has the highest priority among all the input signals. Drive /RESET low for a minimum period of ~1 μ s (tRESET*) will interrupt any on-going external/internal operations, regardless the status of other SPI signals (/CS, CLK, IOs, /WP and/or /HOLD).

Note:

1. While a faster /RESET pulse (as short as a few hundred nanoseconds) will often reset the device, a 1 μ s minimum is recommended to ensure reliable operation.

5.2 Write Protection

Applications that use non-volatile memory must take into consideration the possibility of noise and other adverse system conditions that may compromise data integrity. To address this concern, the XM25QH64C provides several means to protect the data from inadvertent writes.

5.2.1 Write Protect Features

- Device resets when VCC is below threshold
- Time delay write disable after Power-up
- Write enable/disable instructions and automatic write disable after erase or program
- Software and Hardware (/WP pin) write protection using Status Registers
- Write Protection using Power-down instruction
- Lock Down write protection for Status Register until the next power-up
- One Time Program (OTP) write protection for array and Security Registers using Status Register*

* Note: This feature is available upon special order. Please contact XMC for details.

Upon power-up or at power-down, the XM25QH64C will maintain a reset condition while VCC is below the threshold value of VWI, (See Power-up Timing and Voltage Levels and Figure 45a). While reset, all operations are disabled and no instructions are recognized. During power-up and after the VCC voltage exceeds VWI, all program and erase related instructions are further disabled for a time delay of tPU. This includes the Write Enable, Page Program, Sector Erase, Block Erase, Chip Erase and the Write Status Register instructions. Note that the chip select pin (/CS) must track the VCC supply level at power-up until the VCC-min level and tVSL time delay is reached, and it must also track the VCC supply level at power-down to prevent adverse command sequence. If needed a pull-up resistor on /CS can be used to accomplish this.

After power-up the device is automatically placed in a write-disabled state with the Status Register Write Enable Latch (WEL) set to a 0. A Write Enable instruction must be issued before a Page Program, Sector Erase, Block Erase, Chip Erase or Write Status Register instruction will be accepted. After completing a program, erase or write instruction the Write Enable Latch (WEL) is automatically cleared to a write-disabled state of 0.

Software controlled write protection is facilitated using the Write Status Register instruction and setting the Status Register Protect (SRP0, SRP1) and Block Protect (CMP, SEC, TB, BP[2:0]) bits. These settings allow a portion or the entire memory array to be configured as read only. Used in conjunction with the Write Protect (/WP) pin, changes to the Status Register can be enabled or disabled under hardware control. See Status Register section for further information. Additionally, the Power-down instruction offers an extra level of write protection as all instructions are ignored except for the Release Power-down instruction.

6 STATUS AND CONFIGURATION REGISTERS

Three Status and Configuration Registers are provided for XM25QH64C. The Read Status Register- 1/2/3 instructions can be used to provide status on the availability of the flash memory array, whether the device is write enabled or disabled, the state of write protection, Quad SPI setting, Security Register lock status, Erase/Program Suspend status, output driver strength. The Write Status Register instruction can be used to configure the device write protection features, Quad SPI setting, Security Register OTP locks, Hold/Reset functions, output driver strength. Write access to the Status Register is controlled by the state of the non-volatile Status Register Protect bits (SRP0, SRP1), the Write Enable instruction, and during Standard/Dual SPI operations, the /WP pin.

6.1 Status Registers

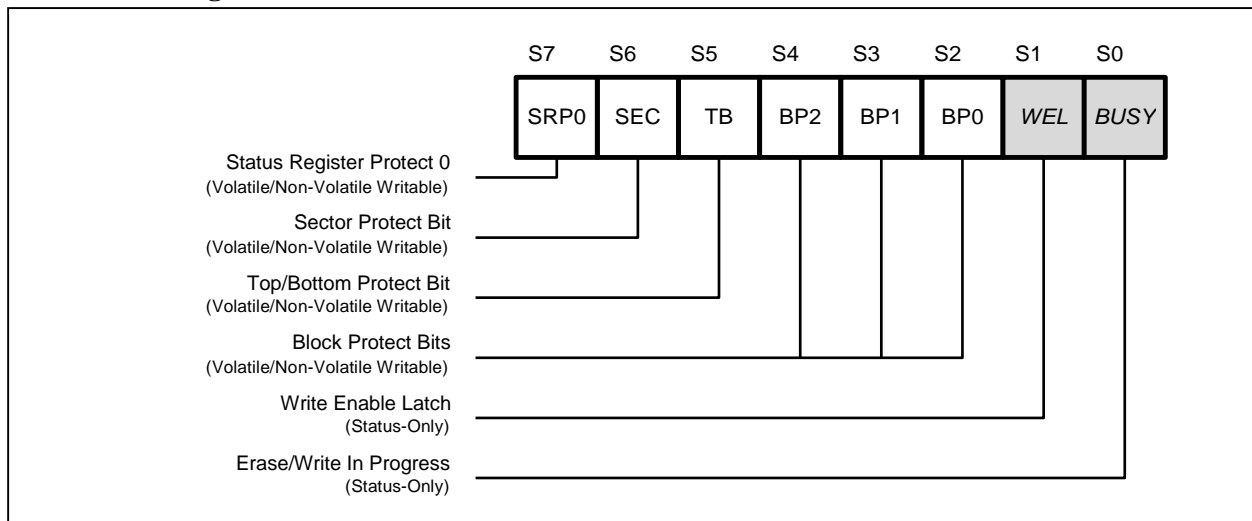


Figure 4a. Status Register-1

6.1.1 Erase/Write In Progress (BUSY) – Status Only

BUSY is a read only bit in the status register (S0) that is set to a 1 state when the device is executing a Page Program, Quad Page Program, Sector Erase, Block Erase, Chip Erase, Write Status Register or Erase/Program Security Register instruction. During this time the device will ignore further instructions except for the Read Status Register and Erase/Program Suspend instruction (see t_W , t_{PP} , t_{SE} , t_{BE} , and t_{CE} in AC Characteristics). When the program, erase or write status/security register instruction has completed, the BUSY bit will be cleared to a 0 state indicating the device is ready for further instructions.

6.1.2 Write Enable Latch (WEL) – Status Only

Write Enable Latch (WEL) is a read only bit in the status register (S1) that is set to 1 after executing a Write Enable Instruction. The WEL status bit is cleared to 0 when the device is write disabled. A write disable state occurs upon power-up or after any of the following instructions: Write Disable, Page Program, Quad Page Program, Sector Erase, Block Erase, Chip Erase, Write Status Register, Erase Security Register and Program Security Register.

6.1.3 Block Protect Bits (BP2, BP1, BP0) – Volatile/Non-Volatile Writable

The Block Protect Bits (BP2, BP1, BP0) are non-volatile read/write bits in the status register (S4, S3, and S2) that provide Write Protection control and status. Block Protect bits can be set using the Write Status Register Instruction (see t_W in AC characteristics). All, none or a portion of the memory array can be protected from Program and Erase instructions (see Status Register Memory Protection table). The factory default setting for the Block Protection Bits is 0, none of the array protected.

6.1.4 Top/Bottom Block Protect (TB) – Volatile/Non-Volatile Writable

The non-volatile Top/Bottom bit (TB) controls if the Block Protect Bits (BP2, BP1, BP0) protect from the Top (TB=0) or the Bottom (TB=1) of the array as shown in the Status Register Memory Protection table. The factory default setting is TB=0. The TB bit can be set with the Write Status Register Instruction depending on the state of the SRP0, SRP1 and WEL bits.

6.1.5 Sector/Block Protect Bit (SEC) – Volatile/Non-Volatile Writable

The non-volatile Sector/Block Protect bit (SEC) controls if the Block Protect Bits (BP2, BP1, BP0) protect either 4KB Sectors (SEC=1) or 64KB Blocks (SEC=0) in the Top (TB=0) or the Bottom (TB=1) of the array as shown in the Status Register Memory Protection table. The default setting is SEC=0.

6.1.6 Complement Protect (CMP) – Volatile/Non-Volatile Writable

The Complement Protect bit (CMP) is a non-volatile read/write bit in the status register (S14). It is used in conjunction with SEC, TB, BP2, BP1 and BP0 bits to provide more flexibility for the array protection. Once CMP is set to 1, previous array protection set by SEC, TB, BP2, BP1 and BP0 will be reversed. For instance, when CMP=0, a top 64KB block can be protected while the rest of the array is not; when CMP=1, the top 64KB block will become unprotected while the rest of the array become read-only. Please refer to the Status Register Memory Protection table for details. The default setting is CMP=0.

6.1.7 Status Register Protect (SRP1, SRP0) – Volatile/Non-Volatile Writable

The Status Register Protect bits (SRP1 and SRP0) are non-volatile read/write bits in the status register (S8 and S7). The SRP bits control the method of write protection: software protection, hardware protection, power supply lock-down or one time programmable (OTP) protection.

| SRP1 | SRP0 | /WP | Status Register | Description |
|------|------|-----|---------------------------------|--|
| 0 | 0 | X | Software Protection | /WP pin has no control. The Status register can be written to after a Write Enable instruction, WEL=1. [Factory Default] |
| 0 | 1 | 0 | Hardware Protected | When /WP pin is low the Status Register locked and cannot be written to. |
| 0 | 1 | 1 | Hardware Unprotected | When /WP pin is high the Status register is unlocked and can be written to after a Write Enable instruction, WEL=1. |
| 1 | 0 | X | Power Supply Lock-Down | Status Register is protected and cannot be written to again until the next power-down, power-up cycle. ⁽¹⁾ |
| 1 | 1 | X | One Time Program ⁽²⁾ | Status Register is permanently protected and cannot be written to. |

Notes:

1. When SRP1, SRP0 = (1, 0), a power-down, power-up cycle will change SRP1, SRP0 to (0, 0) state.
2. This feature is available upon special order. Please contact XMC for details.

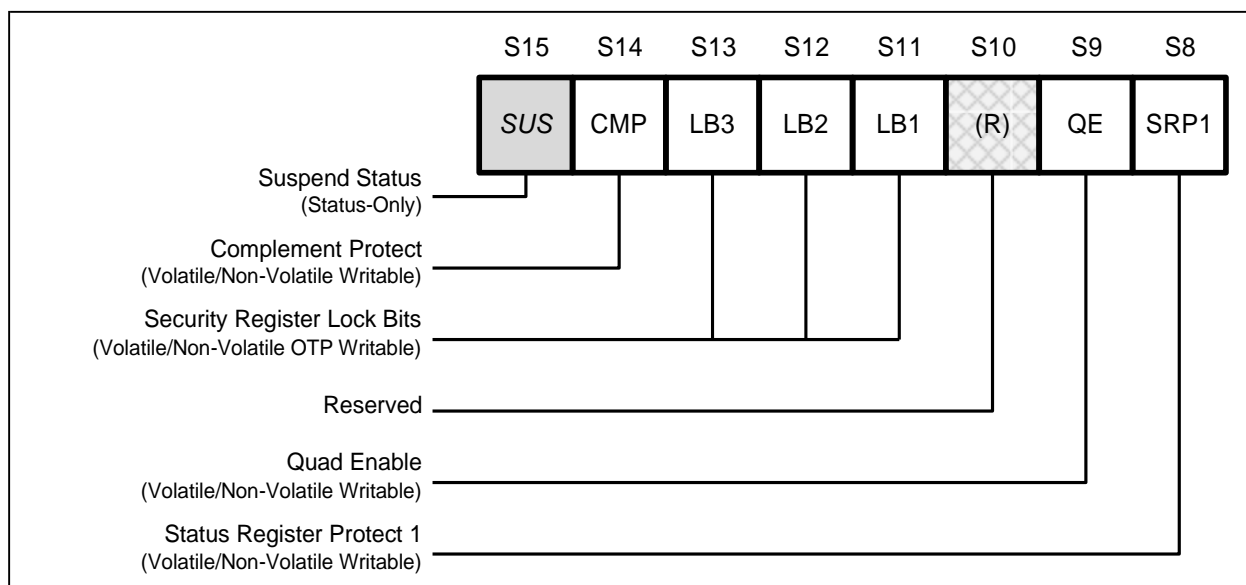


Figure 4b. Status Register-2

6.1.8 Erase/Program Suspend Status (SUS) – Status Only

The Suspend Status bit is a read only bit in the status register (S15) that is set to 1 after executing a Erase/Program Suspend (75h) instruction. The SUS status bit is cleared to 0 by Erase/Program Resume (7Ah) instruction as well as a power-down, power-up cycle.

6.1.9 Security Register Lock Bits (LB3, LB2, LB1) – Volatile/Non-Volatile OTP Writable

The Security Register Lock Bits (LB3, LB2, LB1) are non-volatile One Time Program (OTP) bits in Status Register (S13, S12, S11) that provide the write protect control and status to the Security Registers. The default state of LB3-1 is 0, Security Registers are unlocked. LB3-1 can be set to 1 individually using the Write Status Register instruction. LB3-1 are One Time Programmable (OTP), once it's set to 1, the corresponding 256-Byte Security Register will become read-only permanently.

6.1.10 Quad Enable (QE) – Volatile/Non-Volatile Writable

The Quad Enable (QE) bit is a non-volatile read/write bit in the status register (S9) that allows Quad SPI and QPI operation. When the QE bit is set to a 0 state (factory default for part number with ordering options “G”), the /WP pin and /HOLD are enabled. When the QE bit is set to a 1(factory default for Quad Enabled part numbers with ordering option “Q”), the Quad IO2 and IO3 pins are enabled, and /WP and /HOLD functions are disabled.

QE bit is required to be set to a 1 before issuing an “Enter QPI (38h)” to switch the device from Standard/Dual/Quad SPI to QPI, otherwise the command will be ignored. When the device is in QPI mode, QE bit will remain to be 1. A “Write Status Register” command in QPI mode cannot change QE bit from a “1” to a “0”.

WARNING: If the /WP or /HOLD pins are tied directly to the power supply or ground during standard SPI or Dual SPI operation, the QE bit should never be set to a 1.

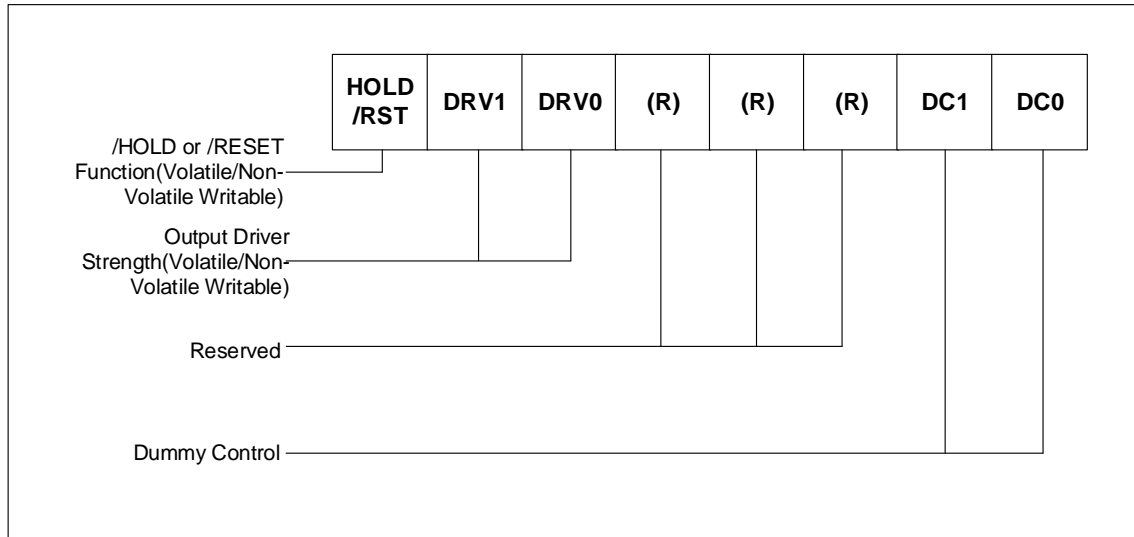


Figure 4c. Status Register-3

6.1.11 Output Driver Strength (DRV1, DRV0) – Volatile/Non-Volatile Writable

The DRV1 & DRV0 bits are used to determine the output driver strength for the Read operations.

| DRV1, DRV0 | Driver Strength |
|------------|-----------------|
| 0, 0 | 100% |
| 0, 1 | 75% (default) |
| 1, 0 | 50% |
| 1, 1 | 25% |

6.1.12 /HOLD or /RESET Pin Function (HOLD/RST) – Volatile/Non-Volatile Writable

The HOLD/RST bit is used to determine whether /HOLD or /RESET function should be implemented on the hardware pin for 8-pin packages. When HOLD/RST=0 (factory default), the pin acts as /HOLD; when HOLD/RST=1, the pin acts as /RESET. However, /HOLD or /RESET functions are only available when QE=0. If QE is set to 1, the /HOLD and /RESET functions are disabled, the pin acts as a dedicated data I/O pin.

6.1.13 Dummy Cycle Bits

The Dummy Cycle Bits(DC1&DC0) are used to determine the Max Frequency for the Read operations.

| DC[1:0] | Numbers of Dummy clock cycles | Fast Read | Fast Read Dual Output | Fast Read Quad Output |
|-------------|-------------------------------|-----------|-----------------------|-----------------------|
| 00(Default) | 8 | 133Mhz | 133Mhz | 133Mhz |
| 01 | 8 | 133Mhz | 133Mhz | 133Mhz |
| 10 | 8 | 133Mhz | 133Mhz | 133Mhz |
| 11 | 8 | 133Mhz | 133Mhz | 133Mhz |

| DC[1:0] | Numbers of Dummy clock cycles | Fast Read Dual I/O | Word Read Quad I/O |
|-------------|-------------------------------|--------------------|--------------------|
| 00(Default) | 4 | 108Mhz | 108Mhz |
| 01 | 8 | 133Mhz | 133Mhz |
| 10 | 4 | 108Mhz | 108Mhz |
| 11 | 8 | 133Mhz | 133Mhz |

| DC[1:0] | Numbers of Dummy clock cycles | Fast Read Quad I/O |
|-------------|-------------------------------|--------------------|
| 00(Default) | 6 | 108Mhz |
| 01 | 4 | 54Mhz |
| 10 | 8 | 133Mhz |
| 11 | 10 | 133Mhz |

6.1.14 Reserved Bits – *Non Functional*

There are a few reserved Status Register bits that may be read out as a “0” or “1”. It is recommended to ignore the values of those bits. During a “Write Status Register” instruction, the Reserved Bits can be written as “0”, but there will not be any effects.

6.1.15 XM25QH64C Status Register Memory Protection (CMP = 0)

| STATUS REGISTER ⁽¹⁾ | | | | | XM25QH64C (64M-BIT) MEMORY PROTECTION ⁽³⁾ | | | |
|--------------------------------|----|-----|-----|-----|--|--------------------|-------------------|----------------------------------|
| SEC | TB | BP2 | BP1 | BP0 | PROTECTED BLOCK(S) | ROTECTED ADDRESSES | PROTECTED DENSITY | PROTECTED PORTION ⁽²⁾ |
| X | X | 0 | 0 | 0 | NONE | NONE | NONE | NONE |
| 0 | 0 | 0 | 0 | 1 | 126 thru 127 | 7E0000h – 7FFFFFFh | 128KB | Upper 1/64 |
| 0 | 0 | 0 | 1 | 0 | 124 thru 127 | 7C0000h – 7FFFFFFh | 256KB | Upper 1/32 |
| 0 | 0 | 0 | 1 | 1 | 120 thru 127 | 780000h – 7FFFFFFh | 512KB | Upper 1/16 |
| 0 | 0 | 1 | 0 | 0 | 112 thru 127 | 700000h – 7FFFFFFh | 1MB | Upper 1/8 |
| 0 | 0 | 1 | 0 | 1 | 96 thru 127 | 600000h – 7FFFFFFh | 2MB | Upper 1/4 |
| 0 | 0 | 1 | 1 | 0 | 64 thru 127 | 400000h – 7FFFFFFh | 4MB | Upper 1/2 |
| 0 | 1 | 0 | 0 | 1 | 0 thru 1 | 000000h – 01FFFFh | 128KB | Lower 1/64 |
| 0 | 1 | 0 | 1 | 0 | 0 thru 3 | 000000h – 03FFFFh | 256KB | Lower 1/32 |
| 0 | 1 | 0 | 1 | 1 | 0 thru 7 | 000000h – 07FFFFh | 512KB | Lower 1/16 |
| 0 | 1 | 1 | 0 | 0 | 0 thru 15 | 000000h – 0FFFFFFh | 1MB | Lower 1/8 |
| 0 | 1 | 1 | 0 | 1 | 0 thru 31 | 000000h – 1FFFFFFh | 2MB | Lower 1/4 |
| 0 | 1 | 1 | 1 | 0 | 0 thru 63 | 000000h – 3FFFFFFh | 4MB | Lower 1/2 |
| X | X | 1 | 1 | 1 | 0 thru 127 | 000000h – 7FFFFFFh | 8MB | ALL |
| 1 | 0 | 0 | 0 | 1 | 127 | 7FF000h – 7FFFFFFh | 4KB | U - 1/2048 |
| 1 | 0 | 0 | 1 | 0 | 127 | 7FE000h – 7FFFFFFh | 8KB | U - 1/1024 |
| 1 | 0 | 0 | 1 | 1 | 127 | 7FC000h – 7FFFFFFh | 16KB | U - 1/512 |
| 1 | 0 | 1 | 0 | X | 127 | 7F8000h – 7FFFFFFh | 32KB | U - 1/256 |
| 1 | 0 | 1 | 1 | 0 | 127 | 7F8000h – 7FFFFFFh | 32KB | U - 1/256 |
| 1 | 1 | 0 | 0 | 1 | 0 | 000000h – 000FFFh | 4KB | L - 1/2048 |
| 1 | 1 | 0 | 1 | 0 | 0 | 000000h – 001FFFh | 8KB | L - 1/1024 |
| 1 | 1 | 0 | 1 | 1 | 0 | 000000h – 003FFFh | 16KB | L - 1/512 |
| 1 | 1 | 1 | 0 | X | 0 | 000000h – 007FFFh | 32KB | L - 1/256 |
| 1 | 1 | 1 | 1 | 0 | 0 | 000000h – 007FFFh | 32KB | L - 1/256 |

Notes:

1. X = don't care
2. L = Lower; U = Upper
3. If any Erase or Program command specifies a memory region that contains protected data portion, this command will be ignored

6.1.16 XM25QH64C Status Register Memory Protection (CMP = 1)

| STATUS REGISTER ⁽¹⁾ | | | | | XM25QH64C (64M-BIT) MEMORY PROTECTION ⁽³⁾ | | | |
|--------------------------------|----|-----|-----|-----|--|---------------------|-------------------|----------------------------------|
| SEC | TB | BP2 | BP1 | BP0 | PROTECTED BLOCK(S) | PROTECTED ADDRESSES | PROTECTED DENSITY | PROTECTED PORTION ⁽²⁾ |
| X | X | 0 | 0 | 0 | 0 thru 127 | 000000h - 7FFFFFFh | 8MB | ALL |
| 0 | 0 | 0 | 0 | 1 | 0 thru 125 | 000000h - 7DFFFFFFh | 8,064KB | Lower 63/64 |
| 0 | 0 | 0 | 1 | 0 | 0 thru 123 | 000000h - 7BFFFFFFh | 7,936KB | Lower 31/32 |
| 0 | 0 | 0 | 1 | 1 | 0 thru 119 | 000000h - 77FFFFFFh | 7,680KB | Lower 15/16 |
| 0 | 0 | 1 | 0 | 0 | 0 thru 111 | 000000h - 6FFFFFFh | 7MB | Lower 7/8 |
| 0 | 0 | 1 | 0 | 1 | 0 thru 95 | 000000h - 5FFFFFFh | 5MB | Lower 3/4 |
| 0 | 0 | 1 | 1 | 0 | 0 thru 63 | 000000h - 3FFFFFFh | 4MB | Lower 1/2 |
| 0 | 1 | 0 | 0 | 1 | 2 thru 127 | 020000h - 7FFFFFFh | 8,064KB | Upper 63/64 |
| 0 | 1 | 0 | 1 | 0 | 4 thru 127 | 040000h - 7FFFFFFh | 7,936KB | Upper 31/32 |
| 0 | 1 | 0 | 1 | 1 | 8 thru 127 | 080000h - 7FFFFFFh | 7,680KB | Upper 15/16 |
| 0 | 1 | 1 | 0 | 0 | 16 thru 127 | 100000h - 7FFFFFFh | 7MB | Upper 7/8 |
| 0 | 1 | 1 | 0 | 1 | 32 thru 127 | 200000h - 7FFFFFFh | 5MB | Upper 3/4 |
| 0 | 1 | 1 | 1 | 0 | 64 thru 127 | 400000h - 7FFFFFFh | 4MB | Upper 1/2 |
| X | X | 1 | 1 | 1 | NONE | NONE | NONE | NONE |
| 1 | 0 | 0 | 0 | 1 | 0 thru 127 | 000000h - 7FEFFFh | 8,188KB | L - 2047/2048 |
| 1 | 0 | 0 | 1 | 0 | 0 thru 127 | 000000h - 7FDFFFh | 8,184KB | L - 1023/1024 |
| 1 | 0 | 0 | 1 | 1 | 0 thru 127 | 000000h - 7FBFFFh | 8,176KB | L - 511/512 |
| 1 | 0 | 1 | 0 | X | 0 thru 127 | 000000h - 7F7FFFh | 8,160KB | L - 255/256 |
| 1 | 0 | 1 | 1 | 0 | 0 thru 127 | 000000h - 7F7FFFh | 8,160KB | L - 255/256 |
| 1 | 1 | 0 | 0 | 1 | 0 thru 127 | 001000h - 7FFFFFFh | 8,188KB | U - 2047/2048 |
| 1 | 1 | 0 | 1 | 0 | 0 thru 127 | 002000h - 7FFFFFFh | 8,184KB | U - 1023/1024 |
| 1 | 1 | 0 | 1 | 1 | 0 thru 127 | 004000h - 7FFFFFFh | 8,176KB | U - 511/512 |
| 1 | 1 | 1 | 0 | X | 0 thru 127 | 008000h - 7FFFFFFh | 8,160KB | U - 255/256 |
| 1 | 1 | 1 | 1 | 0 | 0 thru 127 | 008000h - 7FFFFFFh | 8,160KB | U - 255/256 |

Notes:

1. X = don't care
2. L = Lower; U = Upper
3. If any Erase or Program command specifies a memory region that contains protected data portion, this command will be ignored

7 INSTRUCTIONS

The Standard/Dual/Quad SPI instruction set of the XM25QH64C consists of 41 basic instructions that are fully controlled through the SPI bus (see Instruction Set Table 1-2). Instructions are initiated with the falling edge of Chip Select (/CS). The first byte of data clocked into the DI input provides the instruction code. Data on the DI input is sampled on the rising edge of clock with most significant bit (MSB) first.

The QPI instruction set of the XM25QH64C consists of 27 basic instructions that are fully controlled through the SPI bus (see Instruction Set Table 3). Instructions are initiated with the falling edge of Chip Select (/CS). The first byte of data clocked through IO[3:0] pins provides the instruction code. Data on all four IO pins are sampled on the rising edge of clock with most significant bit (MSB) first. All QPI instructions, addresses, data and dummy bytes are using all four IO pins to transfer every byte of data with every two serial clocks (CLK).

Instructions vary in length from a single byte to several bytes and may be followed by address bytes, data bytes, dummy bytes (don't care), and in some cases, a combination. Instructions are completed with the rising edge of edge /CS. Clock relative timing diagrams for each instruction are included in Figures 5 through 44. All read instructions can be completed after any clocked bit. However, all instructions that Write, Program or Erase must complete on a byte boundary (/CS driven high after a full 8-bits have been clocked) otherwise the instruction will be ignored. This feature further protects the device from inadvertent writes. Additionally, while the memory is being programmed or erased, or when the Status Register is being written, all instructions except for Read Status Register will be ignored until the program or erase cycle has completed.

7.1 Device ID and Instruction Set Tables

7.1.1 Manufacturer and Device Identification

| | | |
|------------------------|---------------------------|---------------------|
| MANUFACTURER ID | (MF7 - MF0) | |
| XMC Serial Flash | 20h | |
| | | |
| Device ID | (ID7 - ID0) | (ID15 - ID0) |
| Instruction | ABh, 90h, 92h, 94h | 9Fh |
| XM25QH64C | 16h | 4017h |

7.1.2 Instruction Set Table 1 (Standard/Dual/Quad SPI Instructions)⁽¹⁾

| Data Input/Output | Byte 1 | Byte 2 | Byte 3 | Byte 4 | Byte 5 | Byte 6 | Byte 7 |
|--|---------|--------------------------|------------|-----------|--------------------------|-----------|-----------|
| Clock Number | (0 – 7) | (8 – 15) | (16 – 23) | (24 – 31) | (32 – 39) | (40 – 47) | (48 – 55) |
| Write Enable | 06h | | | | | | |
| Volatile SR Write Enable | 50h | | | | | | |
| Write Disable | 04h | | | | | | |
| Read Status Register-1 | 05h | (S7-S0) ⁽²⁾ | | | | | |
| Write Status Register-1 ⁽⁴⁾ | 01h | (S7-S0) ⁽⁴⁾ | | | | | |
| Read Status Register-2 | 35h | (S15-S8) ⁽²⁾ | | | | | |
| Write Status Register-2 | 31h | (S15-S8) | | | | | |
| Read Status Register-3 | 15h | (S23-S16) ⁽²⁾ | | | | | |
| Write Status Register-3 | 11h | (S23-S16) | | | | | |
| Chip Erase | C7h/60h | | | | | | |
| Erase / Program Suspend | 75h | | | | | | |
| Erase / Program Resume | 7Ah | | | | | | |
| Power-down | B9h | | | | | | |
| Ultra-Deep Power-down | 79h | | | | | | |
| Release Power-down / ID | ABh | Dummy | Dummy | Dummy | (ID7-ID0) ⁽²⁾ | | |
| Manufacturer/Device ID | 90h | Dummy | Dummy | 00h | (MF7-MF0) | (ID7-ID0) | |
| JEDEC ID | 9Fh | (MF7-MF0) | (ID15-ID8) | (ID7-ID0) | | | |
| Enter QPI Mode | 38h | | | | | | |
| Enable Reset | 66h | | | | | | |
| Reset Device | 99h | | | | | | |

7.1.3 Instruction Set Table 2 (Standard/Dual/Quad SPI Instructions)⁽¹⁾

| Data Input/Output | Byte 1 | Byte 2 | Byte 3 | Byte 4 | Byte 5 | Byte 6 | | | |
|--|---------|----------|-----------|-----------|---------------------------|-----------------------------|---------------------|-----------|-----------|
| Clock Number | (0 – 7) | (8 – 15) | (16 – 23) | (24 – 31) | (32 – 39) | (40 – 47) | | | |
| Read Unique ID | 4Bh | Dummy | Dummy | Dummy | Dummy | (UID63-UID0) | | | |
| Page Program | 02h | A23-A16 | A15-A8 | A7-A0 | D7-D0 | D7-D0 ⁽³⁾ | | | |
| Quad Input Page Program | 32h | A23-A16 | A15-A8 | A7-A0 | D7-D0, ... ⁽⁹⁾ | D7-D0, ... ⁽³⁾ | | | |
| Sector Erase (4KB) | 20h | A23-A16 | A15-A8 | A7-A0 | | | | | |
| Block Erase (32KB) | 52h | A23-A16 | A15-A8 | A7-A0 | | | | | |
| Block Erase (64KB) | D8h | A23-A16 | A15-A8 | A7-A0 | | | | | |
| Read Data | 03h | A23-A16 | A15-A8 | A7-A0 | (D7-D0) | | | | |
| Fast Read | 0Bh | A23-A16 | A15-A8 | A7-A0 | Dummy* | (D7-D0) | | | |
| Fast Read Dual Output | 3Bh | A23-A16 | A15-A8 | A7-A0 | Dummy* | (D7-D0, ...) ⁽⁷⁾ | | | |
| Fast Read Quad Output | 6Bh | A23-A16 | A15-A8 | A7-A0 | Dummy* | (D7-D0, ...) ⁽⁹⁾ | | | |
| Read SFDP Register | 5Ah | A23-A16 | A15-A8 | A7-A0 | Dummy | (D7-D0) | | | |
| Erase Security Register ⁽⁵⁾ | 44h | A23-A16 | A15-A8 | A7-A0 | | | | | |
| Program Security Register ⁽⁵⁾ | 42h | A23-A16 | A15-A8 | A7-A0 | D7-D0 | D7-D0 ⁽³⁾ | | | |
| Read Security Register ⁽⁵⁾ | 48h | A23-A16 | A15-A8 | A7-A0 | Dummy | (D7-D0) | | | |
| Data Input/Output | Byte 1 | Byte 2 | Byte 3 | Byte 4 | Byte 5 | Byte 6 | Byte 7 | | |
| Clock Number | (0 – 7) | (8 – 11) | (12 – 15) | (16 – 19) | (20 – 23) | (24 – 27) | (28 – 31) | | |
| Fast Read Dual I/O | BBh | A23-A16 | A15-A8 | A7-A0 | Dummy* | (D7-D0) | | | |
| Mftr./Device ID Dual I/O | 92h | A23-A16 | A15-A8 | A7-A0 | Dummy | (MF7-MF0) | (ID7-ID0) | | |
| Data Input/Output | Byte 1 | Byte 2 | Byte 3 | Byte 4 | Byte 5 | Byte 6 | Byte 7 | Byte 8 | Byte 9 |
| Clock Number | (0 – 7) | (8, 9) | (10, 11) | (12, 13) | (14, 15) | (16, 17) | (18, 19) | (20, 21) | (22, 23) |
| Set Burst with Wrap | 77h | Dummy | Dummy | Dummy | W8-W0 | | | | |
| Fast Read Quad I/O | EBh | A23-A16 | A15-A8 | A7-A0 | M7-M0 | Dummy* | Dummy* ^E | (D7-D0) | (D7-D0) |
| Word Read Quad I/O ⁽¹²⁾ | E7h | A23-A16 | A15-A8 | A7-A0 | M7-M0 | Dummy | (D7-D0) | (D7-D0) | (D7-D0) |
| Mftr./Device ID Quad I/O | 94h | A23-A16 | A15-A8 | A7-A0 | M7-M0 | Dummy | Dummy | (MF7-MF0) | (ID7-ID0) |
| Quad Page Program | 33h | A23-A16 | A15-A8 | A7-A0 | D7-D0, ... ⁽⁹⁾ | D7-D0 | D7-D0 | D7-D0 | D7-D0 |

*Dummy cycle numbers will be different depending on the bit0 & bit 1 (DC0 & DC1) setting in status register 3.

7.1.4 Instruction Set Table 3 (QPI Instructions)⁽¹⁴⁾

| Data Input/Output | Byte 1 | Byte 2 | Byte 3 | Byte 4 | Byte 5 | Byte 6 |
|--|----------------|--------------------------|------------|-----------|--------------------------|----------------------|
| Clock Number | (0, 1) | (2, 3) | (4, 5) | (6, 7) | (8, 9) | (10, 11) |
| Write Enable | 06h | | | | | |
| Volatile SR Write Enable | 50h | | | | | |
| Write Disable | 04h | | | | | |
| Read Status Register-1 | 05h | (S7-S0) ⁽²⁾ | | | | |
| Write Status Register-1 ⁽⁴⁾ | 01h | (S7-S0) ⁽⁴⁾ | | | | |
| Read Status Register-2 | 35h | (S15-S8) ⁽²⁾ | | | | |
| Write Status Register-2 | 31h | (S15-S8) | | | | |
| Read Status Register-3 | 15h | (S23-S16) ⁽²⁾ | | | | |
| Write Status Register-3 | 11h | (S23-S16) | | | | |
| Chip Erase | C7h/60h | | | | | |
| Erase / Program Suspend | 75h | | | | | |
| Erase / Program Resume | 7Ah | | | | | |
| Power-down | B9h | | | | | |
| Set Read Parameters | C0h | P7-P0 | | | | |
| Release Powerdown /ID | ABh | Dummy | Dummy | Dummy | (ID7-ID0) ⁽²⁾ | |
| Manufacturer/Device ID | 90h | Dummy | Dummy | 00h | (MF7-MF0) | (ID7-ID0) |
| JEDEC ID | 9Fh | (MF7-MF0) | (ID15-ID8) | (ID7-ID0) | | |
| Exit QPI Mode | FFh | | | | | |
| Enable Reset | 66h | | | | | |
| Reset Device | 99h | | | | | |
| Page Program | 02h | A23-A16 | A15-A8 | A7-A0 | D7-D0 ⁽⁹⁾ | D7-D0 ⁽³⁾ |
| Sector Erase (4KB) | 20h | A23-A16 | A15-A8 | A7-A0 | | |
| Block Erase (32KB) | 52h | A23-A16 | A15-A8 | A7-A0 | | |
| Block Erase (64KB) | D8h | A23-A16 | A15-A8 | A7-A0 | | |
| Fast Read | 0Bh | A23-A16 | A15-A8 | A7-A0 | Dummy ⁽¹³⁾ | (D7-D0) |
| Burst Read with Wrap ⁽¹⁴⁾ | 0Ch | A23-A16 | A15-A8 | A7-A0 | Dummy ⁽¹³⁾ | (D7-D0) |
| Fast Read Quad I/O | EBh | A23-A16 | A15-A8 | A7-A0 | M7-M0 ⁽¹³⁾ | (D7-D0) |

Notes:

1. Data bytes are shifted with Most Significant Bit first. Byte fields with data in parenthesis “()” indicate data output from the device on either 1, 2 or 4 IO pins.
2. The Status Register contents and Device ID will repeat continuously until /CS terminates the instruction.
3. At least one byte of data input is required for Page Program, Quad Page Program and Program Security Registers, up to 256 bytes of data input. If more than 256 bytes of data are sent to the device, the addressing will wrap to the beginning of the page and overwrite previously sent data.
4. Write Status Register-1 (01h) can be used to program Status Register-1&2.
5. Security Register Address:
 Security Register 1: A23-16 = 00h; A15-8 = 10h; A7-0 = byte address Security
 Register 2: A23-16 = 00h; A15-8 = 20h; A7-0 = byte address Security Register 3:
 A23-16 = 00h; A15-8 = 30h; A7-0 = byte address
6. Dual SPI address input format:
 IO0 = A22, A20, A18, A16, A14, A12, A10, A8 A6, A4, A2, A0, M6, M4, M2, M0
 IO1 = A23, A21, A19, A17, A15, A13, A11, A9 A7, A5, A3, A1, M7, M5, M3, M1
7. Dual SPI data output format:
 IO0 = (D6, D4, D2, D0)
 IO1 = (D7, D5, D3, D1)
8. Quad SPI address input format:
 IO0 = A20, A16, A12, A8, A4, A0, M4, M0
 IO1 = A21, A17, A13, A9, A5, A1, M5, M1
 IO2 = A22, A18, A14, A10, A6, A2, M6, M2
 IO3 = A23, A19, A15, A11, A7, A3, M7, M3

Set Burst with Wrap input format:
 IO0 = x, x, x, x, x, x, W4, x
 IO1 = x, x, x, x, x, x, W5, x
 IO2 = x, x, x, x, x, x, W6, x
 IO3 = x, x, x, x, x, x, x, x

9. Quad SPI data input/output format:
 IO0 = (D4, D0,)
 IO1 = (D5, D1,)
 IO2 = (D6, D2,)
 IO3 = (D7, D3,)
10. Fast Read Quad I/O data output format: IO0
 = (x, x, x, x, D4, D0, D4, D0)
 IO1 = (x, x, x, x, D5, D1, D5, D1)
 IO2 = (x, x, x, x, D6, D2, D6, D2)
 IO3 = (x, x, x, x, D7, D3, D7, D3)
11. Word Read Quad I/O data output format:
 IO0 = (x, x, D4, D0, D4, D0, D4, D0)
 IO1 = (x, x, D5, D1, D5, D1, D5, D1)
 IO2 = (x, x, D6, D2, D6, D2, D6, D2)
 IO3 = (x, x, D7, D3, D7, D3, D7, D3)
12. QPI Command, Address, Data input/output format:

| | | | | | | | | | | | | | |
|--------------|-----------|-----------|----------|---------|---------|-------------------------|---------------|---|---|---|----|----|-----------|
| <i>CLK</i> # | 0 | 1 | 2 | 3 | 4 | 5 | 6 | 7 | 8 | 9 | 10 | 11 | IO0 = C4, |
| | C0, | A20, A16, | A12, A8, | A4, A0, | D4, D0, | D4, D0 | IO1 = C5, C1, | | | | | | |
| | A21, A17, | A13, A9, | A5, A1, | D5, D1, | D5, D1 | IO2 = C6, C2, A22, | | | | | | | |
| | A18, A14, | A10, A6, | A2, D6, | D2, D6, | D2 | IO3 = C7, C3, A23, A19, | | | | | | | |
| | A15, A11, | A7, A3, | D7, D3, | D7, D3 | | | | | | | | | |
13. The number of dummy clocks for QPI Fast Read, QPI Fast Read Quad I/O & QPI Burst Read with Wrap is controlled by read parameter P7 – P4.
14. The wrap around length for QPI Burst Read with Wrap is controlled by read parameter P3 – P0.

7.2 Instruction Descriptions

7.2.1 Write Enable (06h)

The Write Enable instruction (Figure 5) sets the Write Enable Latch (WEL) bit in the Status Register to a 1. The WEL bit must be set prior to every Page Program, Quad Page Program, Sector Erase, Block Erase, Chip Erase, Write Status Register and Erase/Program Security Registers instruction. The Write Enable instruction is entered by driving /CS low, shifting the instruction code “06h” into the Data Input (DI) pin on the rising edge of CLK, and then driving /CS high.

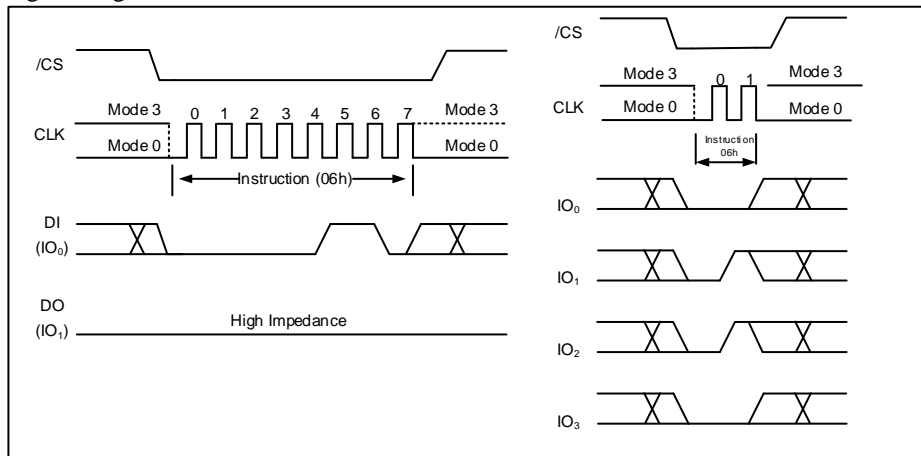


Figure 5. Write Enable Instruction for SPI Mode (left) or QPI Mode (right)

7.2.2 Write Enable for Volatile Status Register (50h)

The non-volatile Status Register bits described in section 7.1 can also be written to as volatile bits. This gives more flexibility to change the system configuration and memory protection schemes quickly without waiting for the typical non-volatile bit write cycles or affecting the endurance of the Status Register non-volatile bits. To write the volatile values into the Status Register bits, the Write Enable for Volatile Status Register (50h) instruction must be issued prior to a Write Status Register (01h) instruction. Write Enable for Volatile Status Register instruction (Figure 6) will not set the Write Enable Latch (WEL) bit, it is only valid for the Write Status Register instruction to change the volatile Status Register bit values.

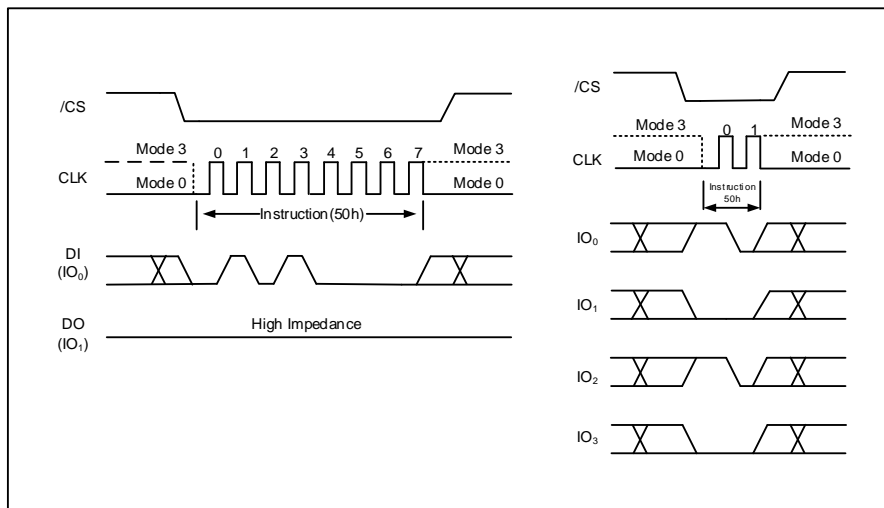


Figure 6. Write Enable for Volatile Status Register Instruction for SPI Mode (left) or QPI Mode (right)

7.2.3 Write Disable (04h)

The Write Disable instruction (Figure 7) resets the Write Enable Latch (WEL) bit in the Status Register to a 0. The Write Disable instruction is entered by driving /CS low, shifting the instruction code “04h” into the DI pin and then driving /CS high. Note that the WEL bit is automatically reset after Power-up and upon completion of the Write Status Register, Erase/Program Security Registers, Page Program, Quad Page Program, Sector Erase, Block Erase, Chip Erase and Reset instructions.

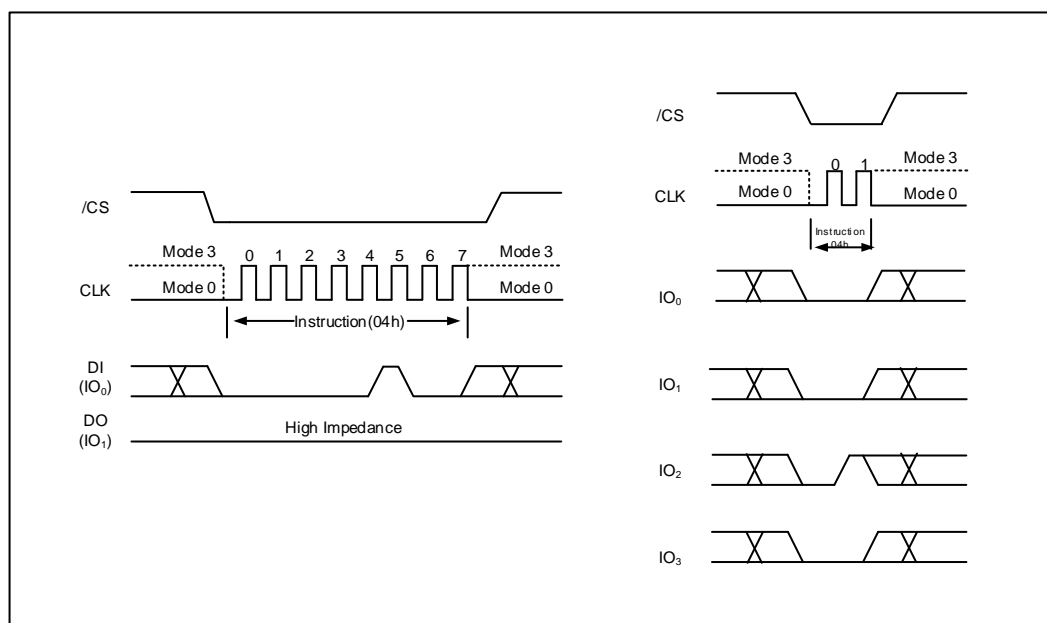


Figure 7. Write Disable Instruction for SPI Mode (left) or QPI Mode (right)

7.2.4 Read Status Register-1 (05h), Status Register-2 (35h) & Status Register-3 (15h)

The Read Status Register instructions allow the 8-bit Status Registers to be read. The instruction is entered by driving /CS low and shifting the instruction code “05h” for Status Register-1, “35h” for Status Register-2 or “15h” for Status Register-3 into the DI pin on the rising edge of CLK. The status register bits are then shifted out on the DO pin at the falling edge of CLK with most significant bit (MSB) first as shown in Figure 8. Refer to section 7.1 for Status Register descriptions.

The Read Status Register instruction may be used at any time, even while a Program, Erase or Write Status Register cycle is in progress. This allows the BUSY status bit to be checked to determine when the cycle is complete and if the device can accept another instruction. The Status Register can be read continuously, as shown in Figure 8. The instruction is completed by driving /CS high.

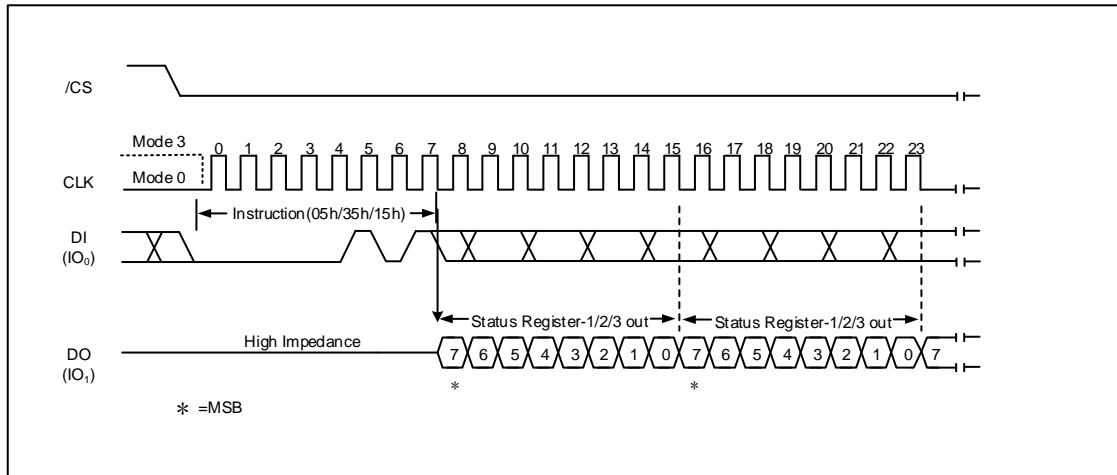


Figure 8a. Read Status Register Instruction (SPI Mode)

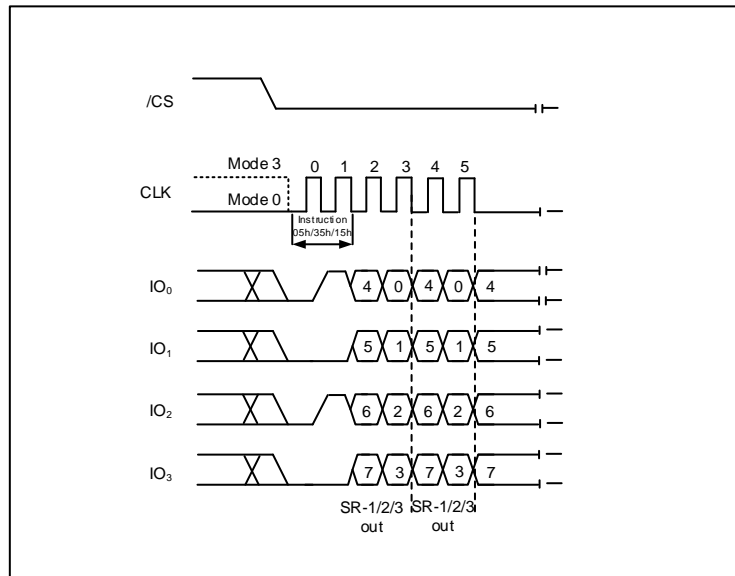


Figure 8b. Read Status Register Instruction (QPI Mode)

7.2.5 Write Status Register-1 (01h), Status Register-2 (31h) & Status Register-3 (11h)

The Write Status Register instruction allows the Status Registers to be written. The writable Status Register bits include: SRP0, SEC, TB, BP[2:0] in Status Register-1; CMP, LB[3:1], QE, SRP1 in Status Register-2; HOLD/RST, DRV1, DRV0,DC1,DC0 in Status Register-3. All other Status Register bit locations are read-only and will not be affected by the Write Status Register instruction. LB[3:1] are non-volatile OTP bits, once it is set to 1, it cannot be cleared to 0.

To write non-volatile Status Register bits, a standard Write Enable (06h) instruction must previously have been executed for the device to accept the Write Status Register instruction (Status Register bit WEL must equal 1). Once write enabled, the instruction is entered by driving /CS low, sending the instruction code “01h/31h/11h”, and then writing the status register data byte as illustrated in Figure 9a & 9b.

To write volatile Status Register bits, a Write Enable for Volatile Status Register (50h) instruction must have been executed prior to the Write Status Register instruction (Status Register bit WEL remains 0). However, SRP1 and LB[3:1] cannot be changed from “1” to “0” because of the OTP protection for these bits. Upon power off or the execution of a Software/Hardware Reset, the volatile Status Register bit values will be lost, and the non-volatile Status Register bit values will be restored.

During non-volatile Status Register write operation (06h combined with 01h/31h/11h), after /CS is driven high, the self-timed Write Status Register cycle will commence for a time duration of t_w (See AC Characteristics). While the Write Status Register cycle is in progress, the Read Status Register instruction may still be accessed to check the status of the BUSY bit. The BUSY bit is a 1 during the Write Status Register cycle and a 0 when the cycle is finished and ready to accept other instructions again. After the Write Status Register cycle has finished, the Write Enable Latch (WEL) bit in the Status Register will be cleared to 0.

During volatile Status Register write operation (50h combined with 01h/31h/11h), after /CS is driven high, the Status Register bits will be refreshed to the new values within the time period of t_{SHSL2} (See AC Characteristics). BUSY bit will remain 0 during the Status Register bit refresh period.

The Write Status Register instruction can be used in both SPI mode and QPI mode. However, the QE bit cannot be written to when the device is in the QPI mode, because $QE=1$ is required for the device to enter and operate in the QPI mode.

Refer to section 7.1 for Status Register descriptions.

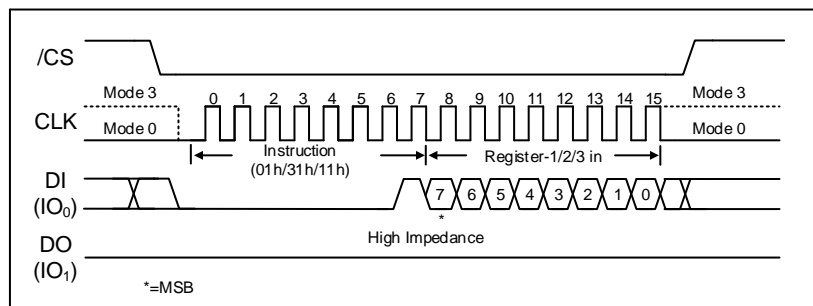


Figure 9a. Write Status Register-1/2/3 Instruction (SPI Mode)

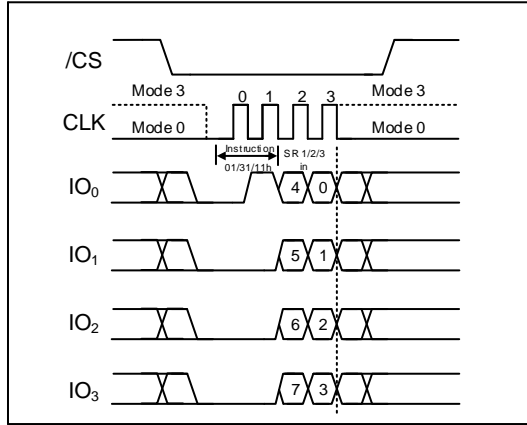


Figure 9b. Write Status Register-1/2/3 Instruction (QPI Mode)

The XM25QH64C is also backward compatible to XMC’s previous generations of serial flash memories, in which the Status Register-1&2 can be written using a single “Write Status Register-1 (01h)” command. To complete the Write Status Register-1&2 instruction, the /CS pin must be driven high after the sixteenth bit of data that is clocked in as shown in Figure 9c & 9d. If /CS is driven high after the eighth clock, the Write Status Register-1 (01h) instruction will only program the Status Register-1, the Status Register-2 will not be affected (Previous generations will clear CMP and QE bits).

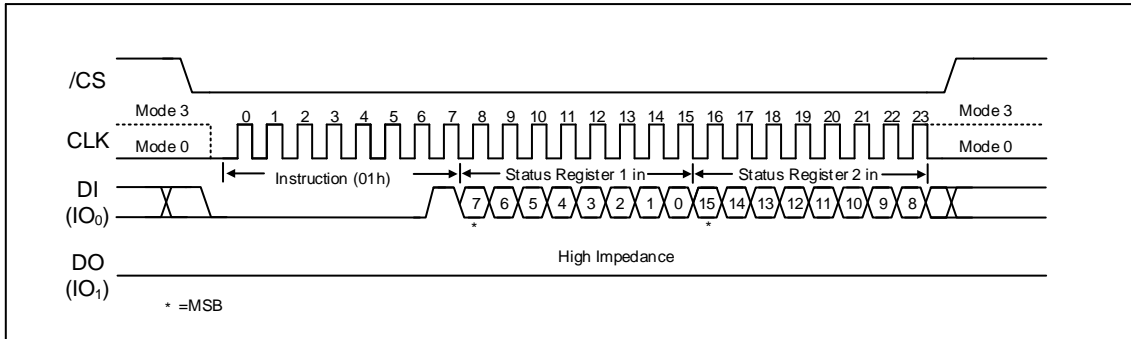


Figure 9c. Write Status Register-1/2 Instruction (SPI Mode)

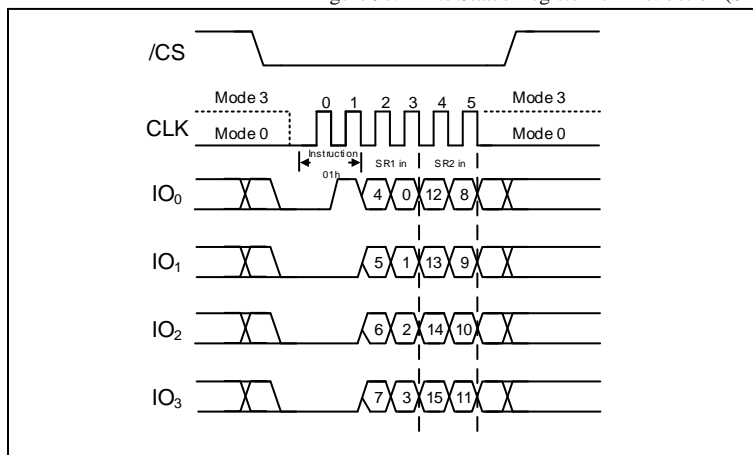


Figure 9d. Write Status Register-1/2 Instruction (QPI Mode)

7.2.6 Read Data (03h)

The Read Data instruction allows one or more data bytes to be sequentially read from the memory. The instruction is initiated by driving the /CS pin low and then shifting the instruction code “03h” followed by a 24-bit address (A23-A0) into the DI pin. The code and address bits are latched on the rising edge of the CLK pin. After the address is received, the data byte of the addressed memory location will be shifted out on the DO pin at the falling edge of CLK with most significant bit (MSB) first. The address is automatically incremented to the next higher address after each byte of data is shifted out allowing for a continuous stream of data. This means that the entire memory can be accessed with a single instruction as long as the clock continues. The instruction is completed by driving /CS high.

The Read Data instruction sequence is shown in Figure 10. If a Read Data instruction is issued while an Erase, Program or Write cycle is in process (BUSY=1) the instruction is ignored and will not have any effects on the current cycle. The Read Data instruction allows clock rates from D.C. to a maximum of f_{FR} (see AC Electrical Characteristics).

The Read Data (03h) instruction is only supported in Standard SPI mode.

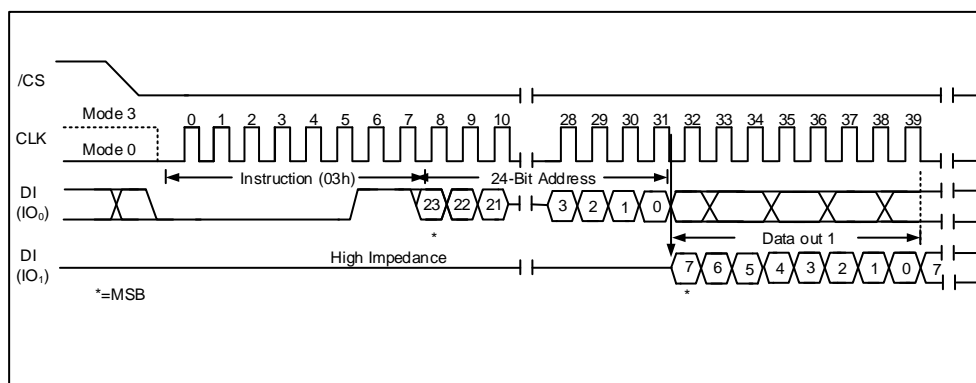


Figure 10. Read Data Instruction (SPI Mode only)

7.2.7 Fast Read (0Bh)

The Fast Read instruction is similar to the Read Data instruction except that it can operate at the highest possible frequency of f_c (see AC Electrical Characteristics). This is accomplished by adding eight “dummy” clocks after the 24-bit address as shown in Figure 11. The dummy clocks allow the devices internal circuits additional time for setting up the initial address. During the dummy clocks the data value on the DO pin is a “don’tcare”.

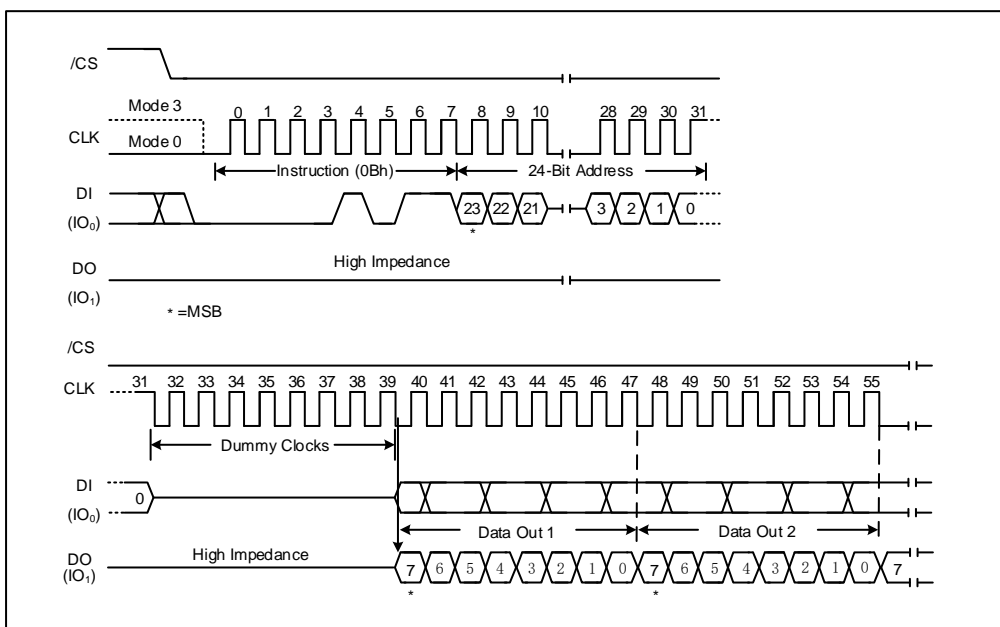


Figure 11a. Fast Read Instruction (SPI Mode)

Fast Read (0Bh) in QPI Mode

The Fast Read instruction is also supported in QPI mode. When QPI mode is enabled, the number of dummy clocks is configured by the “Set Read Parameters (C0h)” instruction to accommodate a wide range of applications with different needs for either maximum Fast Read frequency or minimum data access latency. Depending on the Read Parameter Bits P[5:4] setting, the number of dummy clocks can be configured as either 2, 4, 6 or 8. The default number of dummy clocks upon power up or after a Reset instruction is 2.

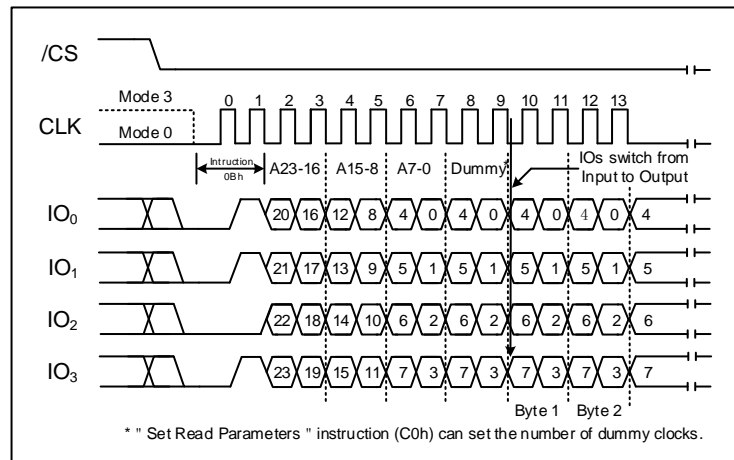


Figure 11b. Fast Read Instruction (QPI Mode)

7.2.8 Fast Read Dual Output (3Bh)

The Fast Read Dual Output (3Bh) instruction is similar to the standard Fast Read (0Bh) instruction except that data is output on two pins; IO₀ and IO₁. This allows data to be transferred at twice the rate of standard SPI devices. The Fast Read Dual Output instruction is ideal for quickly downloading code from Flash to RAM upon power-up or for applications that cache code-segments to RAM for execution.

Similar to the Fast Read instruction, the Fast Read Dual Output instruction can operate at the highest possible frequency of f_c (see AC Electrical Characteristics). This is accomplished by adding eight “dummy” clocks after the 24-bit address as shown in Figure 12. The dummy clocks allow the device's internal circuits additional time for setting up the initial address. The input data during the dummy clocks is “don't care”. However, the IO₀ pin should be high-impedance prior to the falling edge of the first data out clock.

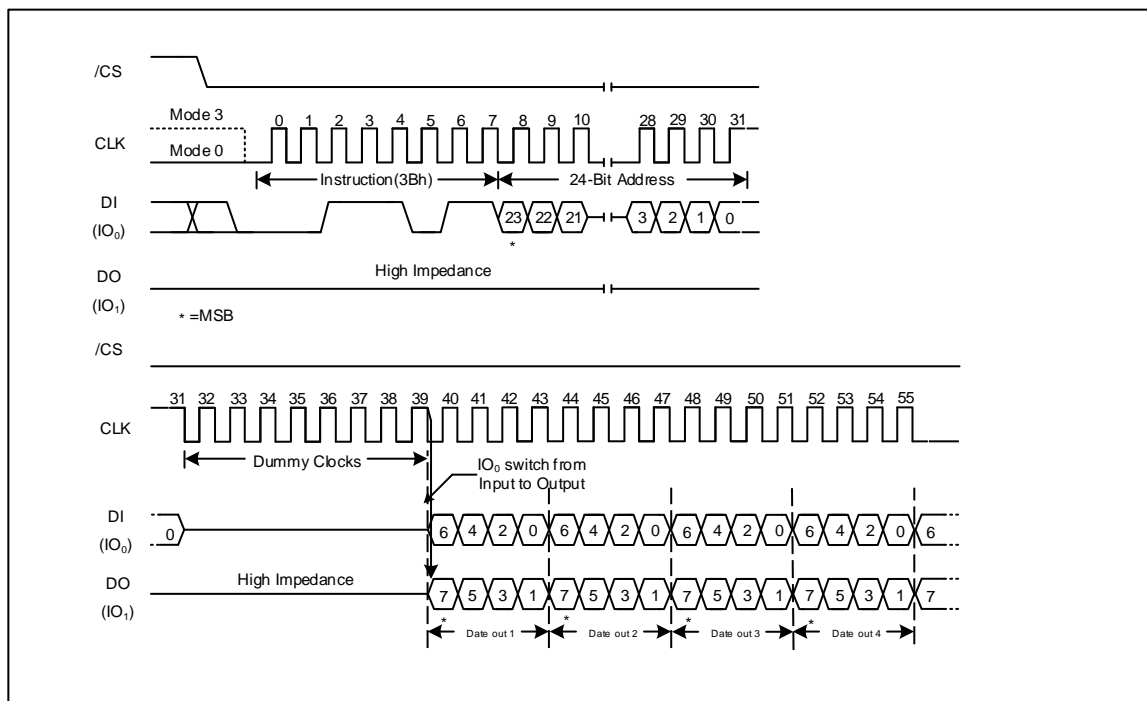


Figure 12. Fast Read Dual Output Instruction (SPI Mode only)

7.2.9 Fast Read Quad Output (6Bh)

The Fast Read Quad Output (6Bh) instruction is similar to the Fast Read Dual Output (3Bh) instruction except that data is output on four pins, IO₀, IO₁, IO₂, and IO₃. The Quad Enable (QE) bit in Status Register-2 must be set to 1 before the device will accept the Fast Read Quad Output Instruction. The Fast Read Quad Output Instruction allows data to be transferred at four times the rate of standard SPI devices.

The Fast Read Quad Output instruction can operate at the highest possible frequency of f_c (see AC Electrical Characteristics). This is accomplished by adding eight “dummy” clocks (default) after the 24-bit address as shown in Figure 13. The dummy clocks allow the device's internal circuits additional time for setting up the initial address. The input data during the dummy clocks is “don't care”. However, the IO pins should be high-impedance prior to the falling edge of the first data out clock.

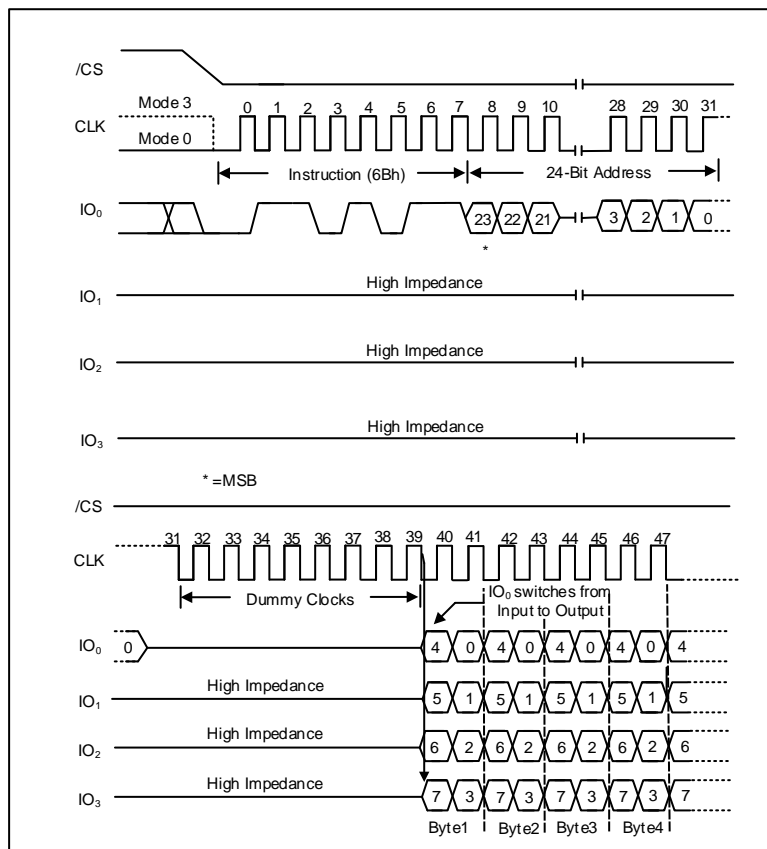


Figure 13. Fast Read Quad Output Instruction (SPI Mode only)

7.2.10 Fast Read Dual I/O (BBh)

The Fast Read Dual I/O (BBh) instruction allows for improved random access while maintaining two IO pins, IO₀ and IO₁. It is similar to the Fast Read Dual Output (3Bh) instruction but with the capability to input the Address bits (A23-0) two bits per clock. This reduced instruction overhead may allow for code execution (XIP) directly from the Dual SPI in some applications.

Fast Read Dual I/O with “Continuous Read Mode”

The Fast Read Dual I/O instruction can further reduce instruction overhead through setting the “Continuous Read Mode” bits (M7-0) after the input Address bits (A23-0), as shown in Figure 14a. The upper nibble of the (M7-4) controls the length of the next Fast Read Dual I/O instruction through the inclusion or exclusion of the first byte instruction code. The lower nibble bits of the (M3-0) are don’t care (“x”). However, the IO pins should be high-impedance prior to the falling edge of the first data out clock.

If the “Continuous Read Mode” bits M5-4 = (1,0), then the next Fast Read Dual I/O instruction (after /CS is raised and then lowered) does not require the BBh instruction code, as shown in Figure 14b. This reduces the instruction sequence by eight clocks and allows the Read address to be immediately entered after /CS is asserted low. If the “Continuous Read Mode” bits M5-4 do not equal to (1,0), the next instruction (after /CS is raised and then lowered) requires the first byte instruction code, thus returning to normal operation. It is recommended to input FFFFh on IO₀ for the next instruction (16 clocks), to ensure M4 = 1 and return the device to normal operation.

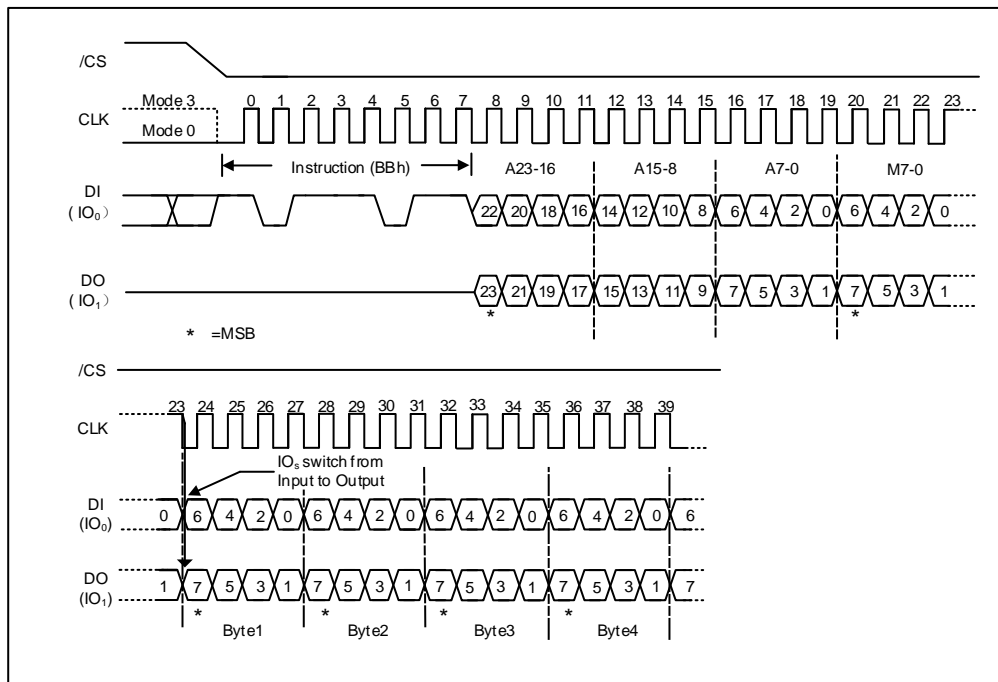


Figure 14a. Fast Read Dual I/O Instruction (Initial instruction or previous M5-4 = 10, SPI Mode only)

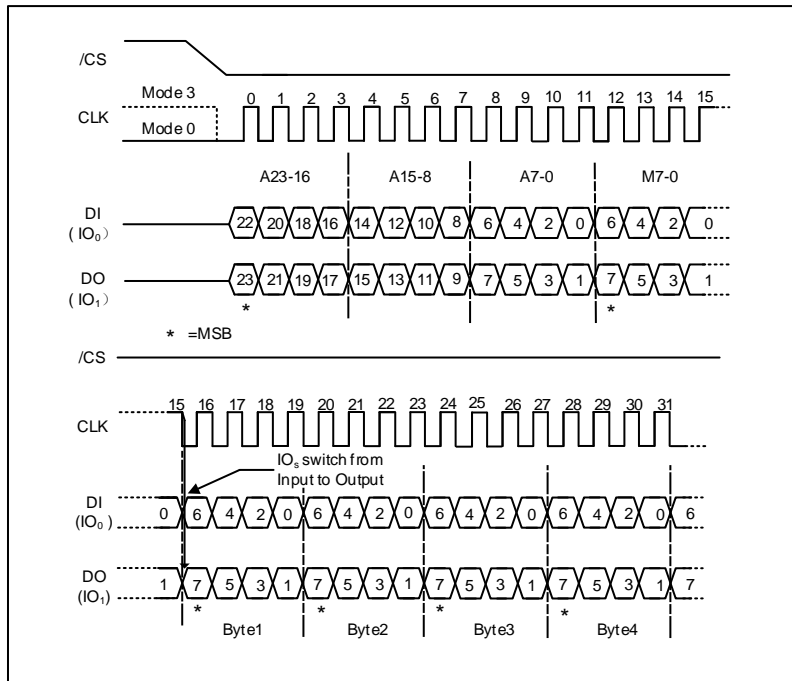


Figure 14b. Fast Read Dual I/O Instruction (Previous instruction set M5-4 = 10, SPI Mode only)

7.2.11 Fast Read Quad I/O (EBh)

The Fast Read Quad I/O (EBh) instruction is similar to the Fast Read Dual I/O (BBh) instruction except that address and data bits are input and output through four pins IO₀, IO₁, IO₂ and IO₃ and four Dummy clocks are required in SPI mode prior to the data output. The Quad I/O dramatically reduces instruction overhead allowing faster random access for code execution (XIP) directly from the Quad SPI. The Quad Enable bit (QE) of Status Register-2 must be set to enable the Fast Read Quad I/O Instruction.

Fast Read Quad I/O with “Continuous Read Mode”

The Fast Read Quad I/O instruction can further reduce instruction overhead through setting the “Continuous Read Mode” bits (M7-0) after the input Address bits (A23-0), as shown in Figure 15a. The upper nibble of the (M7-4) controls the length of the next Fast Read Quad I/O instruction through the inclusion or exclusion of the first byte instruction code. The lower nibble bits of the (M3-0) are don’t care (“x”). However, the IO pins should be high-impedance prior to the falling edge of the first data out clock.

If the “Continuous Read Mode” bits M5-4 = (1,0), then the next Fast Read Quad I/O instruction (after /CS is raised and then lowered) does not require the EBh instruction code, as shown in Figure 15b. This reduces the instruction sequence by eight clocks and allows the Read address to be immediately entered after /CS is asserted low. If the “Continuous Read Mode” bits M5-4 do not equal to (1,0), the next instruction (after /CS is raised and then lowered) requires the first byte instruction code, thus returning to normal operation. It is recommended to input FFh on IO0 for the next instruction (8 clocks), to ensure M4 = 1 and return the device to normal operation.

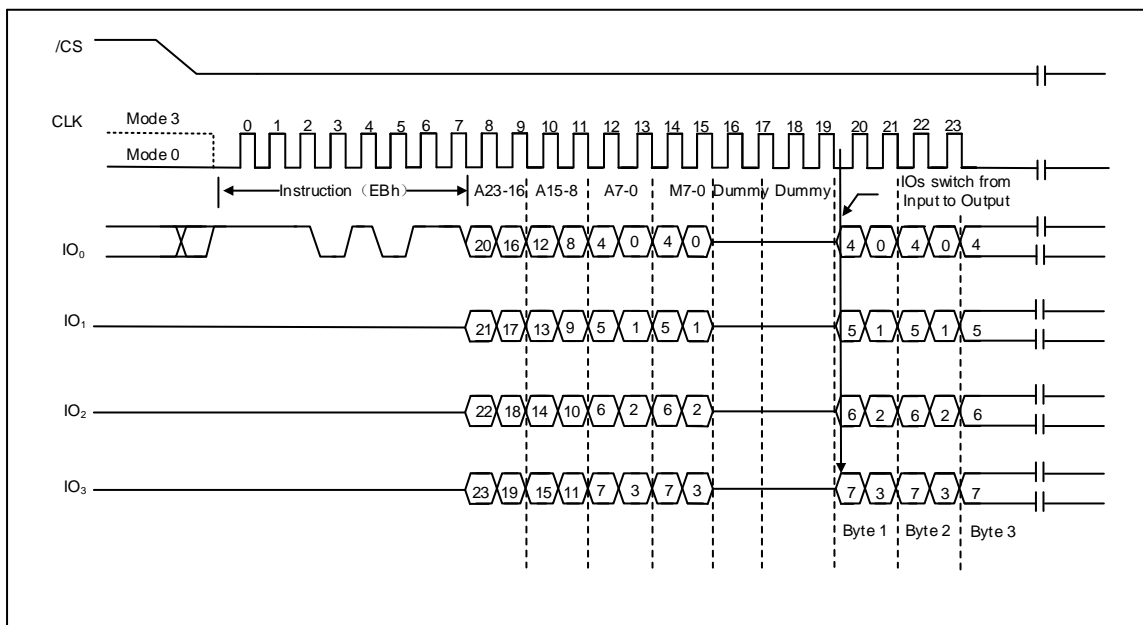


Figure 15a. Fast Read Quad I/O Instruction (Initial instruction or previous M5-4 = 10, SPI Mode)

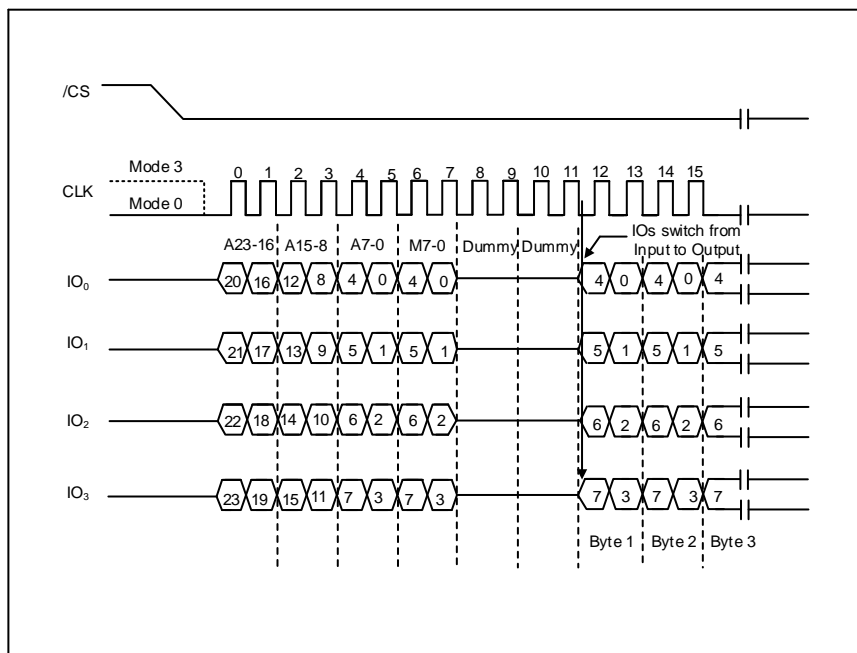


Figure 15b. Fast Read Quad I/O Instruction (Previous instruction set M5-4 = 10, SPI Mode)

Fast Read Quad I/O with “8/16/32/64-Byte Wrap Around” in Standard SPI mode

The Fast Read Quad I/O instruction can also be used to access a specific portion within a page by issuing a “Set Burst with Wrap” (77h) command prior to EBh. The “Set Burst with Wrap” (77h) command can either enable or disable the “Wrap Around” feature for the following EBh commands. When “Wrap Around” is enabled, the data being accessed can be limited to either an 8, 16, 32 or 64- byte section of a 256-byte page. The output data starts at the initial address specified in the instruction, once it reaches the ending boundary of the 8/16/32/64-byte section, the output will wrap around to the beginning boundary automatically until /CS is pulled high to terminate the command.

The Burst with Wrap feature allows applications that use cache to quickly fetch a critical address and then fill the cache afterwards within a fixed length (8/16/32/64-byte) of data without issuing multiple read commands.

The “Set Burst with Wrap” instruction allows three “Wrap Bits”, W6-4 to be set. The W4 bit is used to enable or disable the “Wrap Around” operation while W6-5 are used to specify the length of the wrap around section within a page.

Fast Read Quad I/O (EBh) in QPI Mode

The Fast Read Quad I/O instruction is also supported in QPI mode, as shown in Figure 15c. When QPI mode is enabled, the number of dummy clocks is configured by the “Set Read Parameters (C0h)” instruction to accommodate a wide range of applications with different needs for either maximum Fast Read frequency or minimum data access latency. Depending on the Read Parameter Bits P[5:4] setting, the number of dummy clocks can be configured as either 2, 4, 6 or 8. The default number of dummy clocks upon power up or after a Reset instruction is 2. In QPI mode, the “Continuous Read Mode” bits M7-0 are also considered as dummy clocks. In the default setting, the data output will follow the Continuous Read Mode bits immediately.

“Continuous Read Mode” feature is also available in QPI mode for Fast Read Quad I/O instruction. Please refer to the description on previous pages.

“Wrap Around” feature is not available in QPI mode for Fast Read Quad I/O instruction. To perform a read operation with fixed data length wrap around in QPI mode, a dedicated “Burst Read with Wrap” (0Ch) instruction must be used.

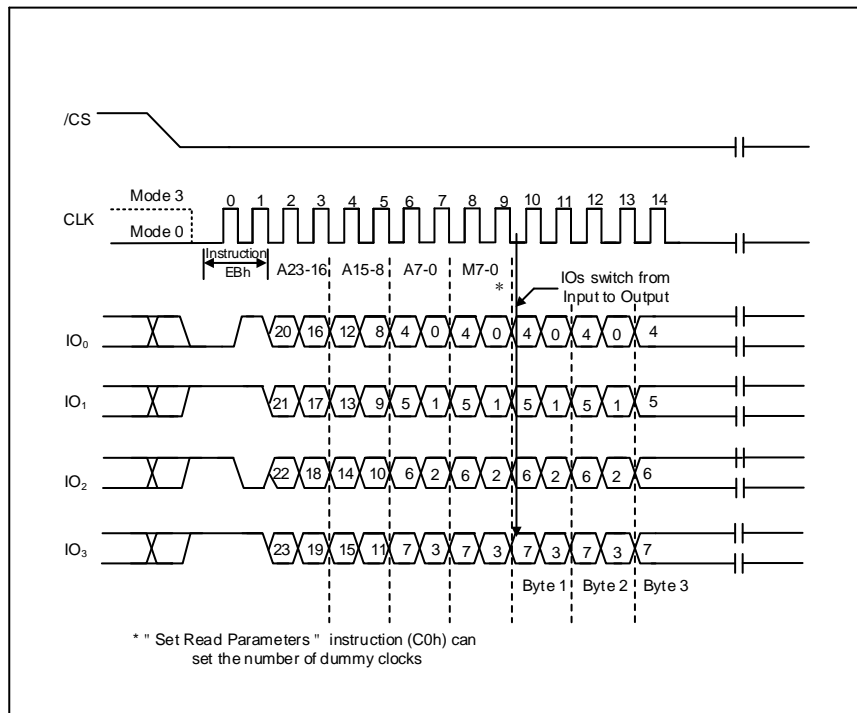


Figure 15c. Fast Read Quad I/O Instruction (Initial instruction or previous M5-4 10, QPI Mode)

7.2.12 Word Read Quad I/O (E7h)

The Word Read Quad I/O (E7h) instruction is similar to the Fast Read Quad I/O (EBh) instruction except that the lowest Address bit (A0) must equal 0 and only two Dummy clocks are required prior to the data output. The Quad I/O dramatically reduces instruction overhead allowing faster random access for code execution (XIP) directly from the Quad SPI. The Quad Enable bit (QE) of Status Register-2 must be set to enable the Word Read Quad I/O Instruction.

Word Read Quad I/O with “Continuous Read Mode”

The Word Read Quad I/O instruction can further reduce instruction overhead through setting the “Continuous Read Mode” bits (M7-0) after the input Address bits (A23-0), as shown in Figure 16a. The upper nibble of the (M7-4) controls the length of the next Fast Read Quad I/O instruction through the inclusion or exclusion of the first byte instruction code. The lower nibble bits of the (M3-0) are don’t care (“x”). However, the IO pins should be high-impedance prior to the falling edge of the first data out clock.

If the “Continuous Read Mode” bits M5-4 = (1,0), then the next Fast Read Quad I/O instruction (after /CS is raised and then lowered) does not require the E7h instruction code, as shown in Figure 16b. This reduces the instruction sequence by eight clocks and allows the Read address to be immediately entered after /CS is asserted low. If the “Continuous Read Mode” bits M5-4 do not equal to (1,0), the next instruction (after /CS is raised and then lowered) requires the first byte instruction code, thus returning to normal operation. It is recommended to input FFh on IO0 for the next instruction (8 clocks), to ensure M4 = 1 and return the device to normal operation.

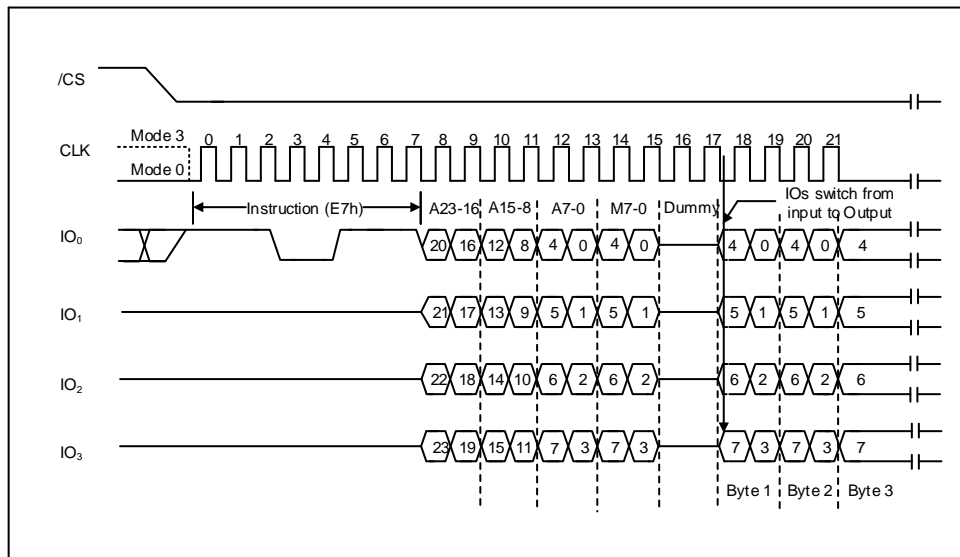


Figure 16a. Word Read Quad I/O Instruction (Initial instruction or previous M5-4 = 10, SPI Mode only)

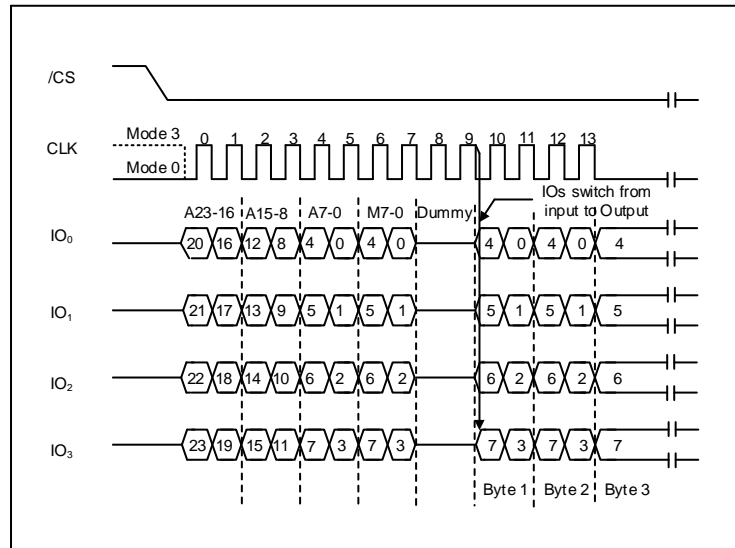


Figure 16b. Word Read Quad I/O Instruction (Previous instruction set M5-4 = 10, SPI Mode only)

Word Read Quad I/O with “8/16/32/64-Byte Wrap Around” in Standard SPI mode

The Word Read Quad I/O instruction can also be used to access a specific portion within a page by issuing a “Set Burst with Wrap” (77h) command prior to E7h. The “Set Burst with Wrap” (77h) command can either enable or disable the “Wrap Around” feature for the following E7h commands. When “Wrap Around” is enabled, the data being accessed can be limited to either an 8, 16, 32 or 64- byte section of a 256-byte page. The output data starts at the initial address specified in the instruction, once it reaches the ending boundary of the 8/16/32/64-byte section, the output will wrap around to the beginning boundary automatically until /CS is pulled high to terminate the command.

The Burst with Wrap feature allows applications that use cache to quickly fetch a critical address and then fill the cache afterwards within a fixed length (8/16/32/64-byte) of data without issuing multiple read commands.

The “Set Burst with Wrap” instruction allows three “Wrap Bits”, W6-4 to be set. The W4 bit is used to enable or disable the “Wrap Around” operation while W6-5 are used to specify the length of the wrap around section within a page.

7.2.13 Set Burst with Wrap (77h)

In Standard SPI mode, the Set Burst with Wrap (77h) instruction is used in conjunction with “Fast Read Quad I/O” and “Word Read Quad I/O” instructions to access a fixed length of 8/16/32/64-byte section within a 256-byte page. Certain applications can benefit from this feature and improve the overall system code execution performance.

Similar to a Quad I/O instruction, the Set Burst with Wrap instruction is initiated by driving the /CS pin low and then shifting the instruction code “77h” followed by 24 dummy bits and 8 “Wrap Bits”, W7-0. The instruction sequence is shown in Figure 17. Wrap bit W7 and the lower nibble W3-0 are not used.

| W6, W5 | W4 = 0 | | W4 =1 (DEFAULT) | |
|--------|-------------|-------------|-----------------|-------------|
| | Wrap Around | Wrap Length | Wrap Around | Wrap Length |
| 0 0 | Yes | 8-byte | No | N/A |
| 0 1 | Yes | 16-byte | No | N/A |
| 1 0 | Yes | 32-byte | No | N/A |
| 1 1 | Yes | 64-byte | No | N/A |

Once W6-4 is set by a Set Burst with Wrap instruction, all the following “Fast Read Quad I/O” and “Word Read Quad I/O” instructions will use the W6-4 setting to access the 8/16/32/64-byte section within any page. To exit the “Wrap Around” function and return to normal read operation, another Set Burst with Wrap instruction should be issued to set W4 = 1. The default value of W4 upon power on or after a software/hardware reset is 1.

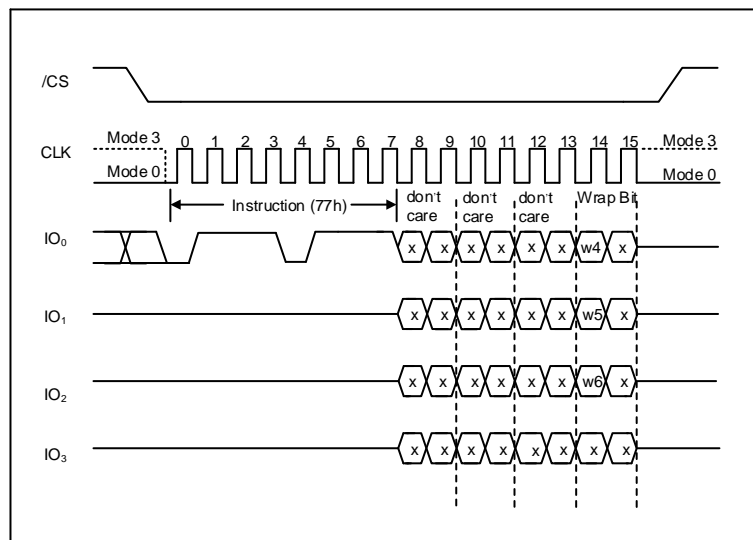


Figure 17. Set Burst with Wrap Instruction (SPI Mode only)

7.2.14 Page Program (02h)

The Page Program instruction allows from one byte to 256 bytes (a page) of data to be programmed at previously erased (FFh) memory locations. A Write Enable instruction must be executed before the device will accept the Page Program Instruction (Status Register bit WEL= 1). The instruction is initiated by driving the /CS pin low then shifting the instruction code “02h” followed by a 24-bit address (A23-A0) and at least one data byte, into the DI pin. The /CS pin must be held low for the entire length of the instruction while data is being sent to the device. The Page Program instruction sequence is shown in Figure 18.

If an entire 256 byte page is to be programmed, the last address byte (the 8 least significant address bits) should be set to 0. If the last address byte is not zero, and the number of clocks exceeds the remaining page length, the addressing will wrap to the beginning of the page. In some cases, less than 256 bytes (a partial page) can be programmed without having any effect on other bytes within the same page. One condition to perform a partial page program is that the number of clocks cannot exceed the remaining page length. If more than 256 bytes are sent to the device the addressing will wrap to the beginning of the page and overwrite previously sent data.

As with the write and erase instructions, the /CS pin must be driven high after the eighth bit of the last byte has been latched. If this is not done the Page Program instruction will not be executed. After /CS is driven high, the self-timed Page Program instruction will commence for a time duration of tpp (See AC Characteristics). While the Page Program cycle is in progress, the Read Status Register instruction may still be accessed for checking the status of the BUSY bit. The BUSY bit is a 1 during the Page Program cycle and becomes a 0 when the cycle is finished and the device is ready to accept other instructions again. After the Page Program cycle has finished the Write Enable Latch (WEL) bit in the Status Register is cleared to 0. The Page Program instruction will not be executed if the addressed page is protected by the Block Protect (CMP, SEC, TB, BP2, BP1, and BP0) bits.

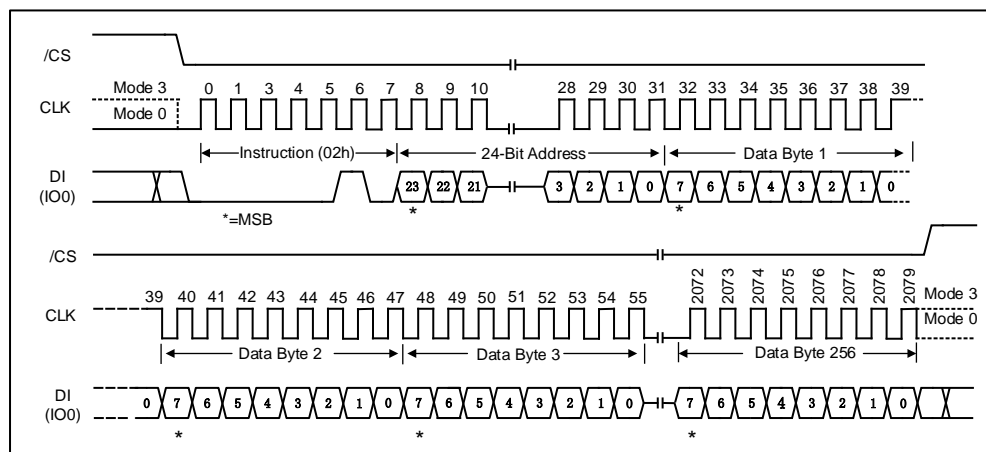


Figure 18a. Page Program Instruction (SPI Mode)

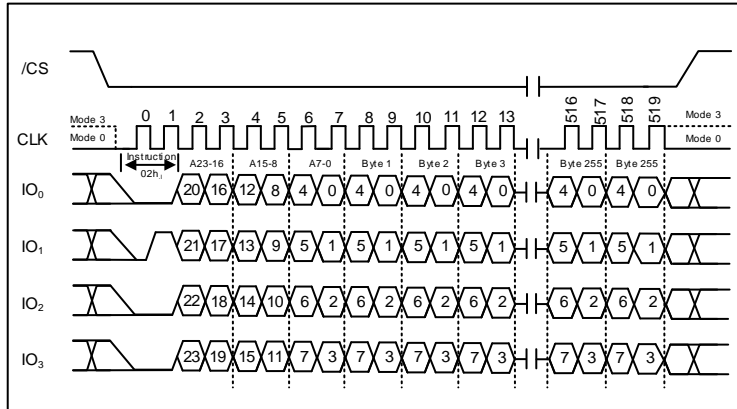


Figure 18b. Page Program Instruction (QPI Mode)

7.2.15 Quad Input Page Program (32h)

The Quad Input Page Program instruction allows up to 256 bytes of data to be programmed at previously erased (FFh) memory locations using four pins: IO₀, IO₁, IO₂, and IO₃. The Quad Input Page Program can improve performance for PROM Programmer and applications that have slow clock speeds <5MHz. Systems with faster clock speed will not realize much benefit for the Quad Input Page Program instruction since the inherent page program time is much greater than the time it take to clock-in the data.

To use Quad Input Page Program the Quad Enable (QE) bit in Status Register-2 must be set to 1. A Write Enable instruction must be executed before the device will accept the Quad Input Page Program instruction (Status Register-1, WEL=1). The instruction is initiated by driving the /CS pin low then shifting the instruction code “32h” followed by a 24-bit address (A23-A0) and at least one data byte, into the IO pins. The /CS pin must be held low for the entire length of the instruction while data is being sent to the device. All other functions of Quad Input Page Program are identical to standard Page Program. The Quad Input Page Program instruction sequence is shown in Figure 19.

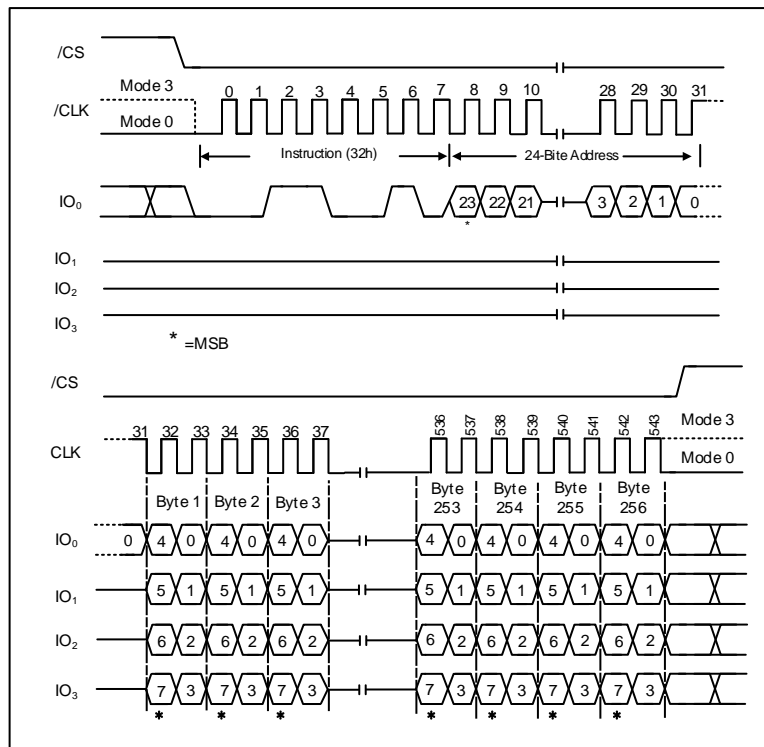


Figure 19. Quad Input Page Program Instruction (SPI Mode only)

7.2.16 Quad Page Program (33h)

The Quad Page Program (33h) instruction is similar to the Quad Input Page Program (32h) instruction except that address and data bits are both input and output through four pins IO₀, IO₁, IO₂ and IO₃. The Quad Page Program can improve performance for PROM Programmer and applications that have slow clock speeds <5MHz. Systems with faster clock speed will not realize much benefit for the Quad Page Program instruction since the inherent page program time is much greater than the time it take to clock-in the data. To use Quad Page Program the Quad Enable (QE) bit in Status Register-2 must be set to 1. The Quad Page Program instruction sequence is shown in Figure 20.

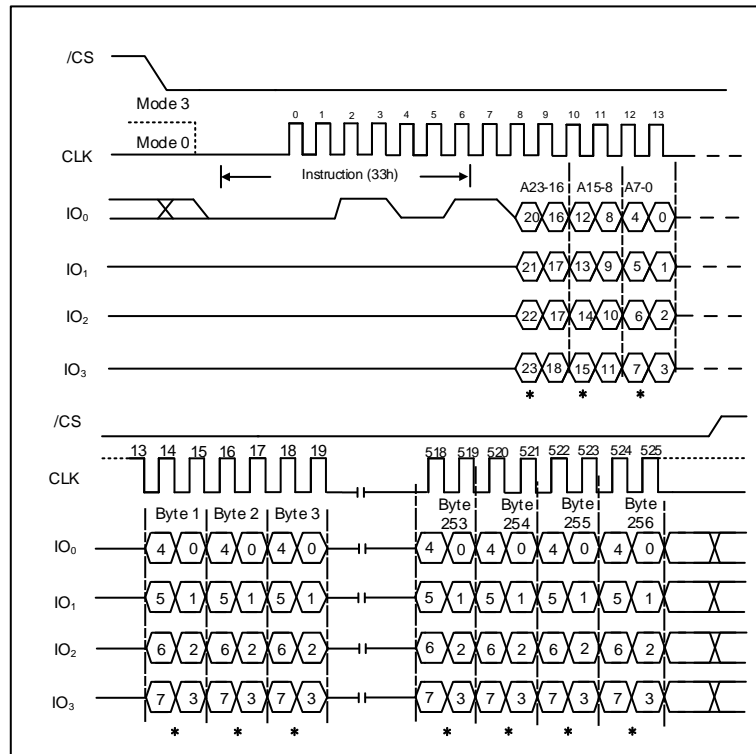


Figure 20. Quad Page Program Instruction (SPI Mode only)

7.2.17 Sector Erase (20h)

The Sector Erase instruction sets all memory within a specified sector (4K-bytes) to the erased state of all 1s (FFh). A Write Enable instruction must be executed before the device will accept the Sector Erase Instruction (Status Register bit WEL must equal 1). The instruction is initiated by driving the /CS pin low and shifting the instruction code “20h” followed a 24-bit sector address (A23-A0). The Sector Erase instruction sequence is shown in Figure 21a & 21b.

The /CS pin must be driven high after the eighth bit of the last byte has been latched. If this is not done the Sector Erase instruction will not be executed. After /CS is driven high, the self-timed Sector Erase instruction will commence for a time duration of tSE (See AC Characteristics). While the Sector Erase cycle is in progress, the Read Status Register instruction may still be accessed for checking the status of the BUSY bit. The BUSY bit is a 1 during the Sector Erase cycle and becomes a 0 when the cycle is finished and the device is ready to accept other instructions again. After the Sector Erase cycle has finished the Write Enable Latch (WEL) bit in the Status Register is cleared to 0. The Sector Erase instruction will not be executed if the addressed page is protected by the Block Protect (CMP, SEC, TB, BP2, BP1, and BP0) bits.

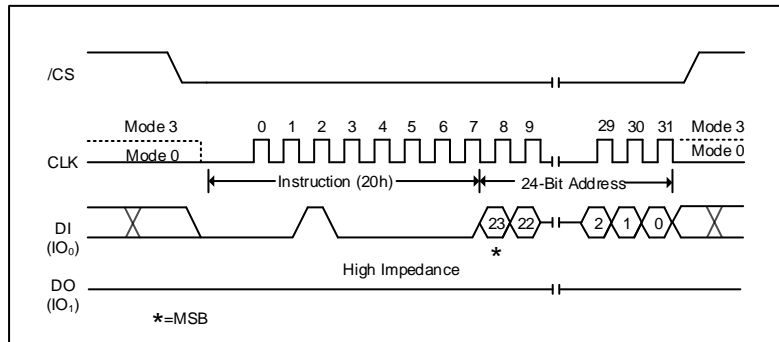


Figure 21a. Sector Erase Instruction (SPI Mode)

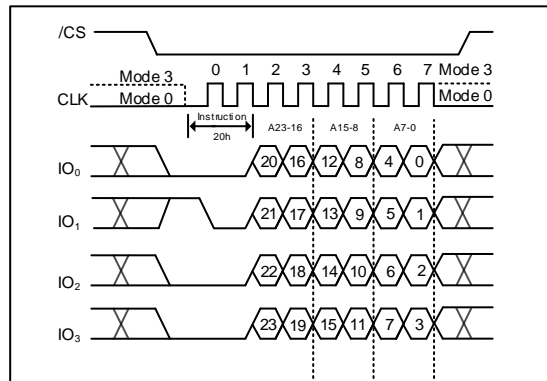


Figure 21b. Sector Erase Instruction (QPI Mode)

7.2.18 32KB Block Erase (52h)

The Block Erase instruction sets all memory within a specified block (32K-bytes) to the erased state of all 1s (FFh). A Write Enable instruction must be executed before the device will accept the Block Erase Instruction (Status Register bit WEL must equal 1). The instruction is initiated by driving the /CS pin low and shifting the instruction code “52h” followed a 24-bit block address (A23-A0). The Block Erase instruction sequence is shown in Figure 22a & 22b.

The /CS pin must be driven high after the eighth bit of the last byte has been latched. If this is not done the Block Erase instruction will not be executed. After /CS is driven high, the self-timed Block Erase instruction will commence for a time duration of tBE1 (See AC Characteristics). While the Block Erase cycle is in progress, the Read Status Register instruction may still be accessed for checking the status of the BUSY bit. The BUSY bit is a 1 during the Block Erase cycle and becomes a 0 when the cycle is finished and the device is ready to accept other instructions again. After the Block Erase cycle has finished the Write Enable Latch (WEL) bit in the Status Register is cleared to 0. The Block Erase instruction will not be executed if the addressed page is protected by the Block Protect (CMP, SEC, TB, BP2, BP1, and BP0) bits.

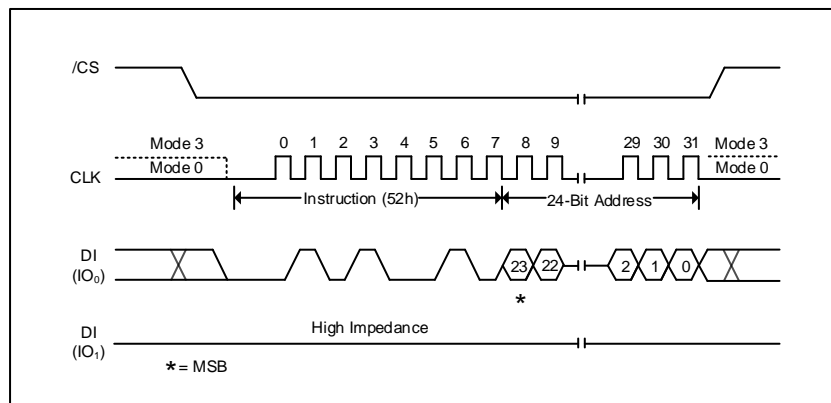


Figure 22a. 32KB Block Erase Instruction (SPI Mode)

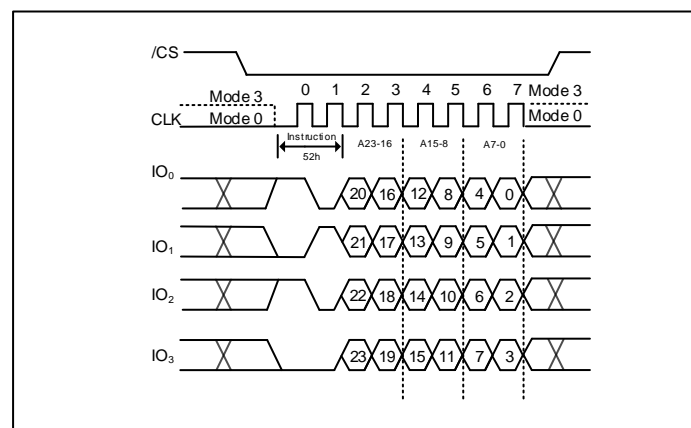


Figure 22b. 32KB Block Erase Instruction (QPI Mode)

7.2.19 64KB Block Erase (D8h)

The Block Erase instruction sets all memory within a specified block (64K-bytes) to the erased state of all 1s (FFh). A Write Enable instruction must be executed before the device will accept the Block Erase Instruction (Status Register bit WEL must equal 1). The instruction is initiated by driving the /CS pin low and shifting the instruction code “D8h” followed a 24-bit block address (A23-A0). The Block Erase instruction sequence is shown in Figure 23a & 23b.

The /CS pin must be driven high after the eighth bit of the last byte has been latched. If this is not done the Block Erase instruction will not be executed. After /CS is driven high, the self-timed Block Erase instruction will commence for a time duration of tBE (See AC Characteristics). While the Block Erase cycle is in progress, the Read Status Register instruction may still be accessed for checking the status of the BUSY bit. The BUSY bit is a 1 during the Block Erase cycle and becomes a 0 when the cycle is finished and the device is ready to accept other instructions again. After the Block Erase cycle has finished the Write Enable Latch (WEL) bit in the Status Register is cleared to 0. The Block Erase instruction will not be executed if the addressed page is protected by the Block Protect (CMP, SEC, TB, BP2, BP1, and BP0) bits.

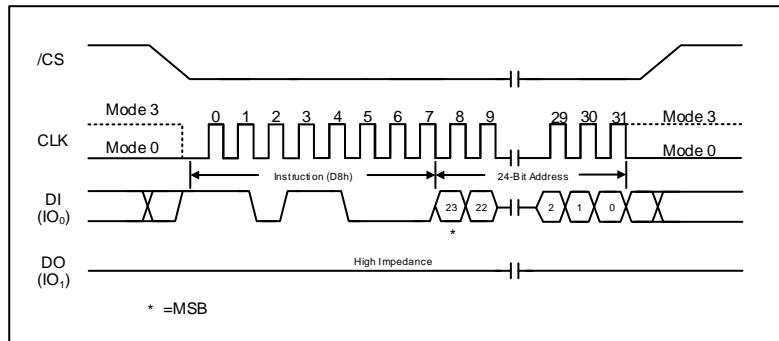


Figure 23a. 64KB Block Erase Instruction (SPI Mode)

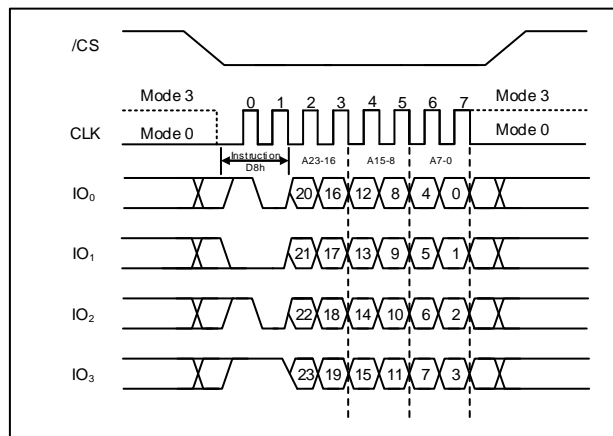


Figure 23b. 64KB Block Erase Instruction (QPI Mode)

7.2.20 Chip Erase (C7h / 60h)

The Chip Erase instruction sets all memory within the device to the erased state of all 1s (FFh). A Write Enable instruction must be executed before the device will accept the Chip Erase Instruction (Status Register bit WEL must equal 1). The instruction is initiated by driving the /CS pin low and shifting the instruction code “C7h” or “60h”. The Chip Erase instruction sequence is shown in Figure 24.

The /CS pin must be driven high after the eighth bit has been latched. If this is not done the Chip Erase instruction will not be executed. After /CS is driven high, the self-timed Chip Erase instruction will commence for a time duration of tCE (See AC Characteristics). While the Chip Erase cycle is in progress, the Read Status Register instruction may still be accessed to check the status of the BUSY bit. The BUSY bit is a 1 during the Chip Erase cycle and becomes a 0 when finished and the device is ready to accept other instructions again. After the Chip Erase cycle has finished the Write Enable Latch (WEL) bit in the Status Register is cleared to 0. The Chip Erase instruction will not be executed if any memory region is protected by the Block Protect (CMP, SEC, TB, BP2, BP1, and BP0) bits.

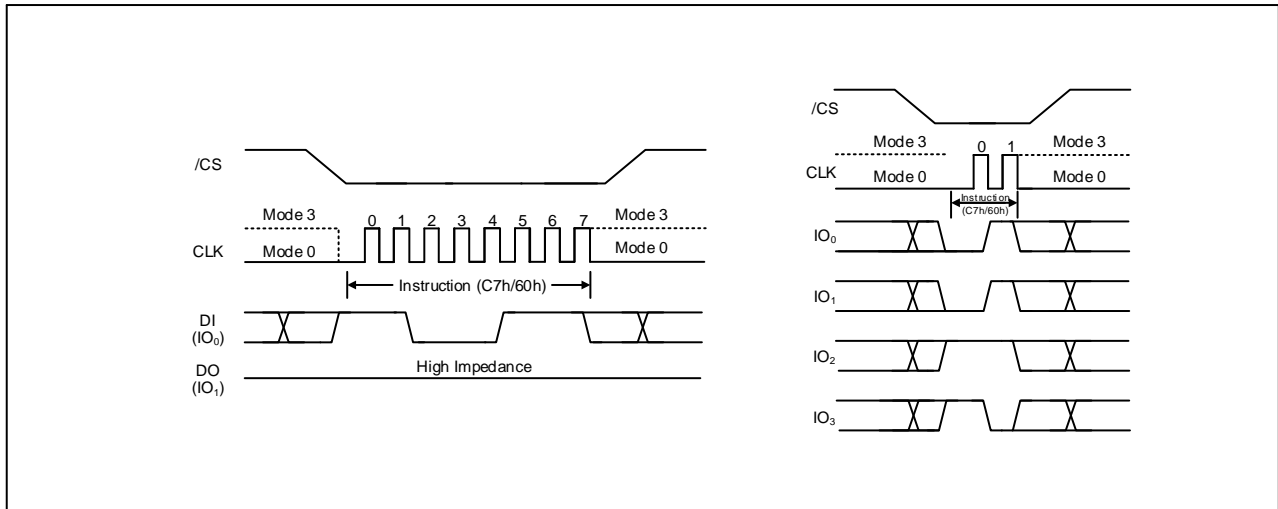


Figure 24. Chip Erase Instruction for SPI Mode (left) or QPI Mode (right)

7.2.21 Erase / Program Suspend (75h)

The Erase/Program Suspend instruction “75h”, allows the system to interrupt a Sector or Block Erase operation or a Page Program operation and then read from any other sectors or blocks. The Erase/Program Suspend instruction sequence is shown in Figure 25a & 25b.

The Write Status Register instruction (01h) and Erase instructions (20h, 52h, D8h, C7h, 60h, 44h,42h) are not allowed during Erase Suspend. Erase Suspend is valid only during the Sector or Block erase operation. If written during the Chip Erase operation, the Erase Suspend instruction is ignored. The Write Status Register instructions (01h, 31h, 11h) and Erase instructions(20h, 52h, D8h, C7h, 60h, 44h) and Program instructions (02h, 32h, 42h) are not allowed during Program Suspend. Program Suspend is valid only during the Page Program or Quad Page Program operation.

The Erase/Program Suspend instruction “75h” will be accepted by the device only if the SUS bit in the Status Register equals to 0 and the BUSY bit equals to 1 while a Sector or Block Erase or a Page Program operation is on-going. If the SUS bit equals to 1 or the BUSY bit equals to 0, the Suspend instruction will be ignored by the device. A maximum of time of “ t_{SUS} ” (See AC Characteristics) is required to suspend the erase or program operation. The BUSY bit in the Status Register will be cleared from 1 to 0 within “ t_{SUS} ” and the SUS bit in the Status Register will be set from 0 to 1 immediately after Erase/Program Suspend. For a previously resumed Erase/Program operation, it is also required that the Suspend instruction “75h” is not issued earlier than a minimum of time of “ t_{SUS} ” following the preceding Resume instruction “7Ah”.

Unexpected power off during the Erase/Program suspend state will reset the device and release the suspend state. SUS bit in the Status Register will also reset to 0. The data within the page, sector or block that was being suspended may become corrupted. It is recommended for the user to implement system design techniques against the accidental power interruption and preserve data integrity during erase/program suspend state.

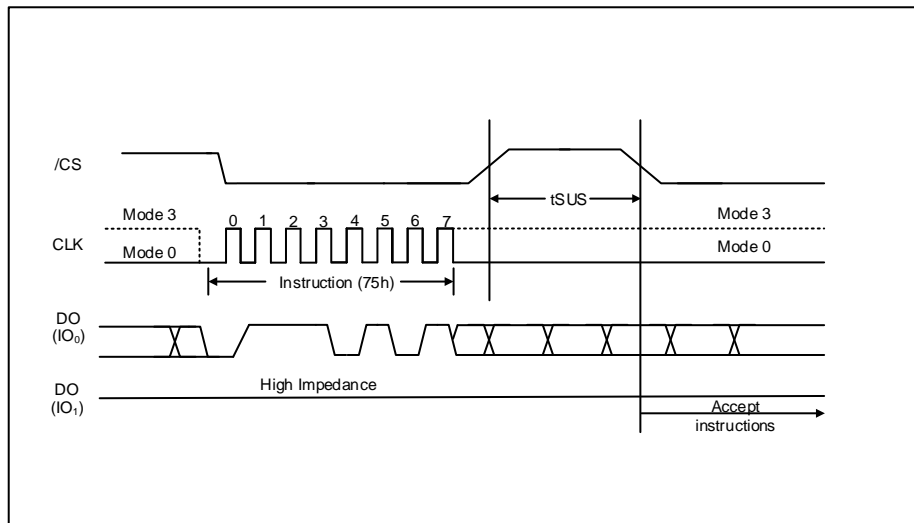


Figure 25a. Erase/Program Suspend Instruction (SPI Mode)

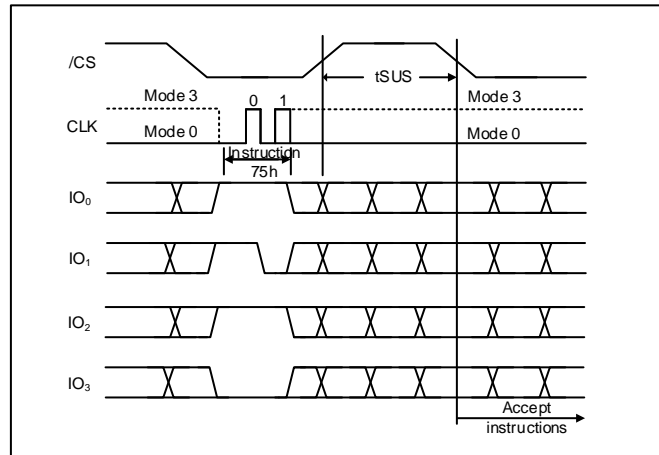


Figure 25b. Erase/Program Suspend Instruction (QPI Mode)

7.2.22 Erase / Program Resume (7Ah)

The Erase/Program Resume instruction “7Ah” must be written to resume the Sector or Block Erase operation or the Page Program operation after an Erase/Program Suspend. The Resume instruction “7Ah” will be accepted by the device only if the SUS bit in the Status Register equals to 1 and the BUSY bit equals to 0. After issued the SUS bit will be cleared from 1 to 0 immediately, the BUSY bit will be set from 0 to 1 within 200ns and the Sector or Block will complete the erase operation or the page will complete the program operation. If the SUS bit equals to 0 or the BUSY bit equals to 1, the Resume instruction “7Ah” will be ignored by the device. The Erase/Program Resume instruction sequence is shown in Figure 26a & 26b.

Resume instruction is ignored if the previous Erase/Program Suspend operation was interrupted by unexpected power off. It is also required that a subsequent Erase/Program Suspend instruction not to be issued within a minimum of time of “t_{ERS}” following a previous Resume instruction.

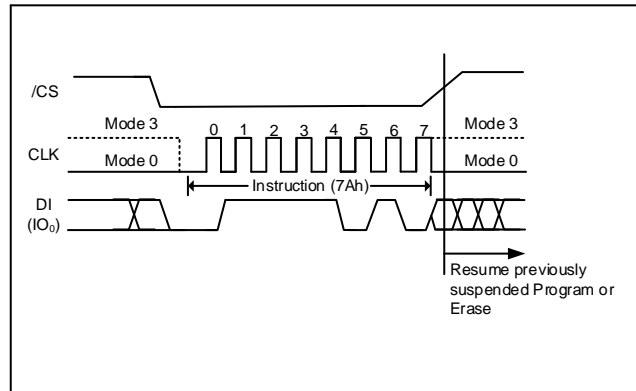


Figure 26a. Erase/Program Resume Instruction (SPI Mode)

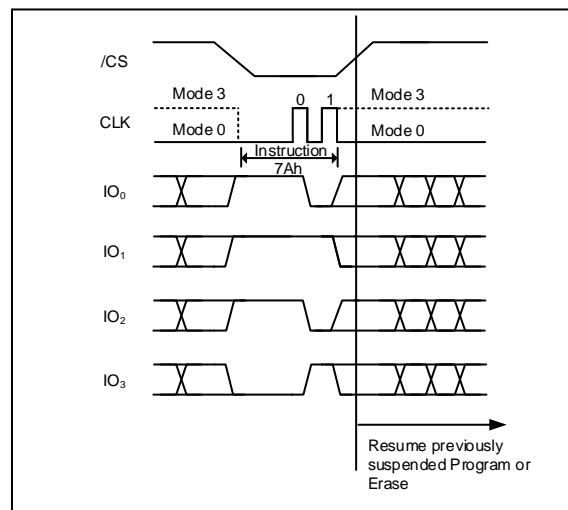


Figure 26b. Erase/Program Resume Instruction (QPI Mode)

7.2.23 Power-down (B9h)

Although the standby current during normal operation is relatively low, standby current can be further reduced with the Power-down instruction. The lower power consumption makes the Power-down instruction especially useful for battery powered applications (See ICC1 and ICC2 in AC Characteristics). The instruction is initiated by driving the /CS pin low and shifting the instruction code “B9h” as shown in Figure 27a & 27b.

The /CS pin must be driven high after the eighth bit has been latched. If this is not done the Power-down instruction will not be executed. After /CS is driven high, the power-down state will entered within the time duration of tDP (See AC Characteristics). While in the power-down state only the Release Power-down / Device ID (ABh) instruction, which restores the device to normal operation, will be recognized. All other instructions are forbidden. This includes the Read Status Register instruction, which is always available during normal operation. Forbid all but one instruction makes the Power Down state a useful condition for securing maximum write protection. The device always powers-up in the normal operation with the standby current of ICC1.

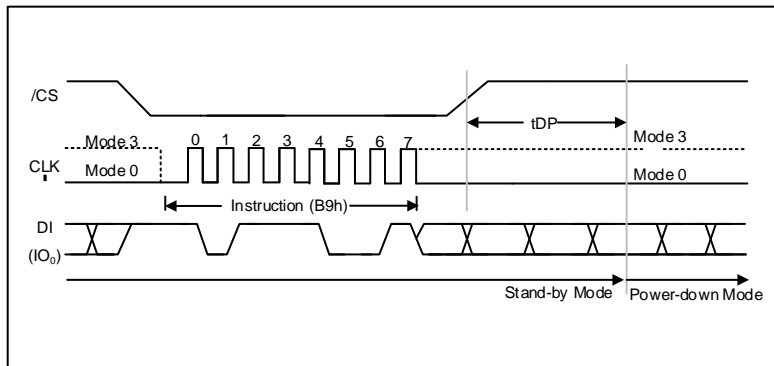


Figure 27a. Deep Power-down Instruction (SPI Mode)

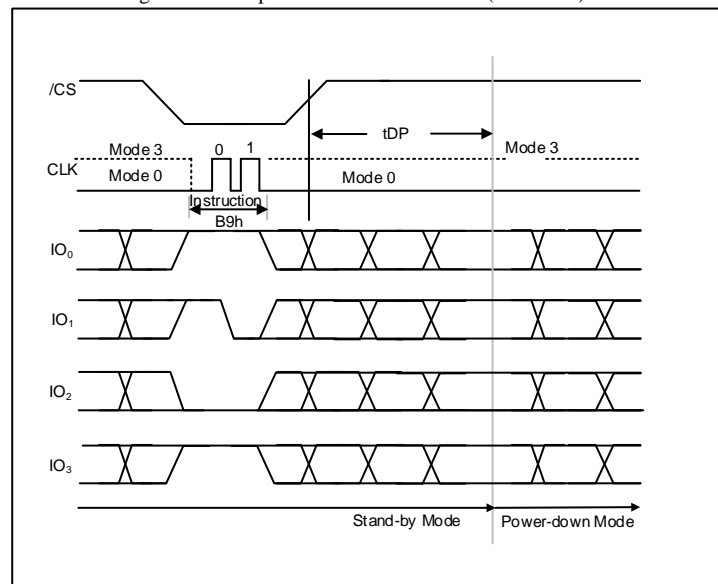


Figure 27b. Deep Power-down Instruction (QPI Mode)

7.2.24 Release Power-down / Device ID (ABh)

The Release from Power-down / Device ID instruction is a multi-purpose instruction. It can be used to release the device from the power-down state, or obtain the devices electronic identification (ID) number.

To release the device from the power-down state, the instruction is issued by driving the /CS pin low, shifting the instruction code “ABh” and driving /CS high as shown in Figure 28a & 28b. Release from power-down will take the time duration of tRES1 (See AC Characteristics) before the device will resume normal operation and other instructions are accepted. The /CS pin must remain high during the tRES1 time duration.

When used only to obtain the Device ID while not in the power-down state, the instruction is initiated by driving the /CS pin low and shifting the instruction code “ABh” followed by 3-dummy bytes. The Device ID bits are then shifted out on the falling edge of CLK with most significant bit (MSB) first. The Device ID value for the XM25QH64C is listed in Manufacturer and Device Identification table. The Device ID can be read continuously. The instruction is completed by driving /CS high.

When used to release the device from the power-down state and obtain the Device ID, the instruction is the same as previously described, and shown in Figure 28c & 28d, except that after /CS is driven high it must remain high for a time duration of tRES2 (See AC Characteristics). After this time duration the device will resume normal operation and other instructions will be accepted. If the Release from Power-down / Device ID instruction is issued while an Erase, Program or Write cycle is in process (when BUSY equals 1) the instruction is ignored and will not have any effects on the current cycle.

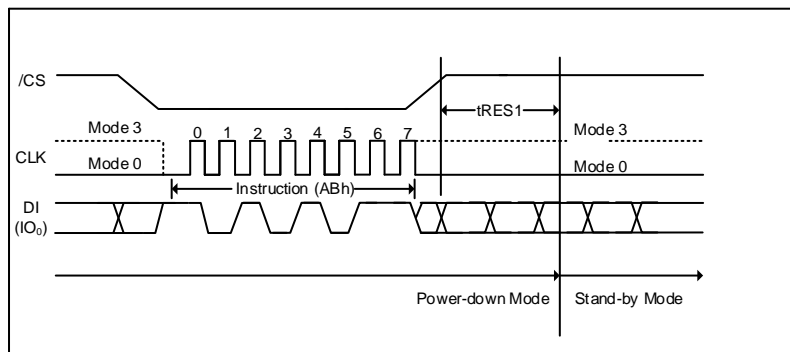


Figure 28a. Release Power-down Instruction (SPI Mode)

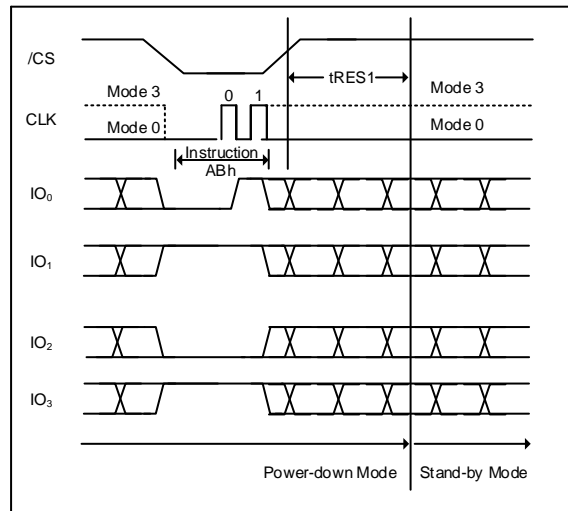


Figure 28b. Release Power-down Instruction (QPI Mode)

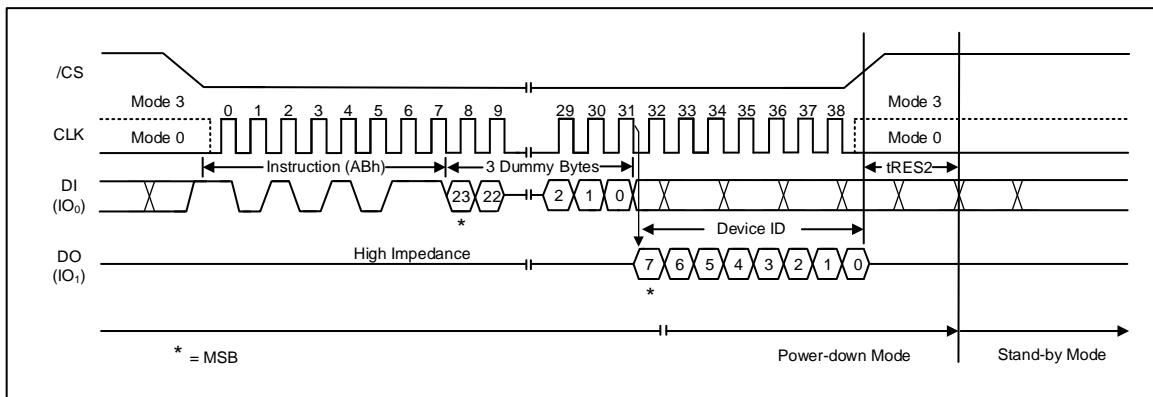


Figure 28c. Release Power-down / Device ID Instruction (SPI Mode)

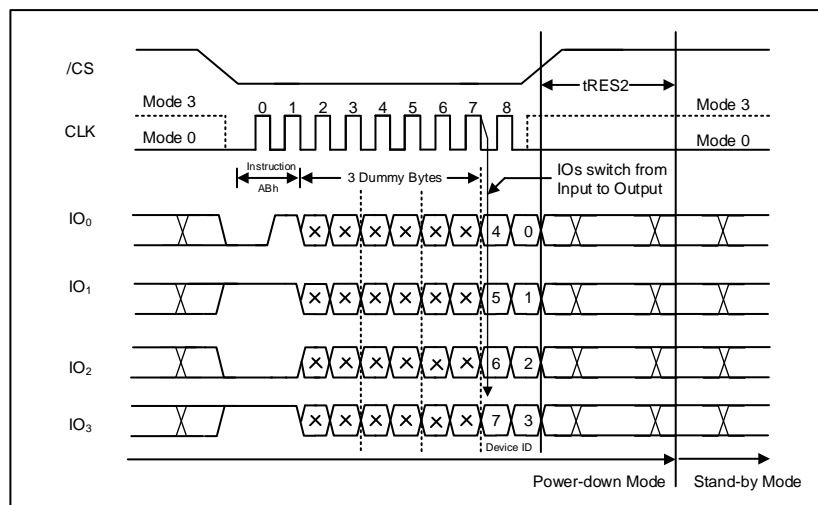


Figure 28d. Release Power-down / Device ID Instruction (QPI Mode)

7.2.25 Read Manufacturer / Device ID (90h)

The Read Manufacturer/Device ID instruction is an alternative to the Release from Power-down / Device ID instruction that provides both the JEDEC assigned manufacturer ID and the specific device ID.

The Read Manufacturer/Device ID instruction is very similar to the Release from Power-down / Device ID instruction. The instruction is initiated by driving the /CS pin low and shifting the instruction code “90h” followed by a 24-bit address (A23-A0) of 000000h. After which, the Manufacturer ID for XMC (20h) and the Device ID are shifted out on the falling edge of CLK with most significant bit (MSB) first as shown in Figure 29. The Device ID values for the XM25QH64C are listed in Manufacturer and Device Identification table. The instruction is completed by driving /CS high.

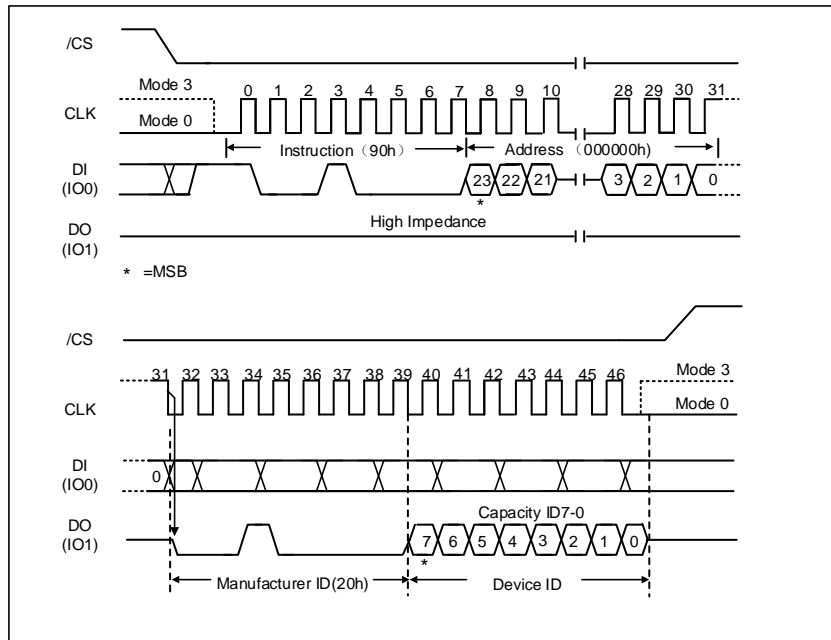


Figure 29. Read Manufacturer / Device ID Instruction (SPI Mode)

7.2.26 Read Manufacturer / Device ID Dual I/O (92h)

The Read Manufacturer / Device ID Dual I/O instruction is an alternative to the Read Manufacturer / Device ID instruction that provides both the JEDEC assigned manufacturer ID and the specific device ID at 2x speed. The Read Manufacturer / Device ID Dual I/O instruction is similar to the Fast Read Dual I/O instruction. The instruction is initiated by driving the /CS pin low and shifting the instruction code “92h” followed by a 24-bit address (A23-A0) of 000000h, but with the capability to input the Address bits two bits per clock. After which, the Manufacturer ID for XMC (20h) and the Device ID are shifted out 2 bits per clock on the falling edge of CLK with most significant bits (MSB) first as shown in Figure 30. The Device ID values for the XM25QH64C are listed in Manufacturer and Device Identification table. The Manufacturer and Device IDs can be read continuously, alternating from one to the other. The instruction is completed by driving /CS high.

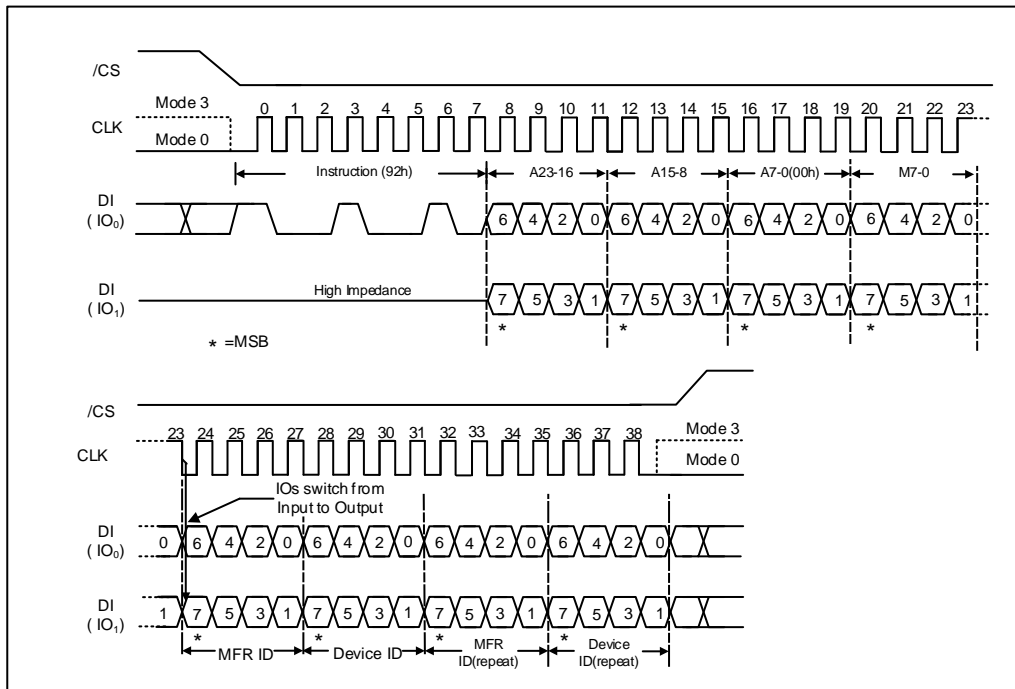


Figure 30. Read Manufacturer / Device ID Dual I/O Instruction (SPI Mode only)

Note:

The “Continuous Read Mode” bits M(7-0) must be set to Fxh to be compatible with Fast Read Dual I/O instruction.

The max frequency of Read Manufacturer / Device ID Dual I/O is 133Mhz when use default dummy cycle(=4 .M(7-0))

If require 133Mhz ,the Dummy Cycle Bits(DC1&DC0) of status register 3 should be set to 01 or 11,then the dummy cycle is 8.

7.2.27 Read Manufacturer / Device ID Quad I/O (94h)

The Read Manufacturer / Device ID Quad I/O instruction is an alternative to the Read Manufacturer / Device ID instruction that provides both the JEDEC assigned manufacturer ID and the specific device ID at 4x speed.

The Read Manufacturer / Device ID Quad I/O instruction is similar to the Fast Read Quad I/O instruction. The instruction is initiated by driving the /CS pin low and shifting the instruction code “94h” followed by a four clock dummy cycles and then a 24-bit address (A23-A0) of 000000h, but with the capability to input the Address bits four bits per clock. After which, the Manufacturer ID for XMC (20h) and the Device ID are shifted out four bits per clock on the falling edge of CLK with most significant bit (MSB) first as shown in Figure 31. The Device ID values for the XM25QH64C are listed in Manufacturer and Device Identification table. The Manufacturer and Device IDs can be read continuously, alternating from one to the other. The instruction is completed by driving /CS high.

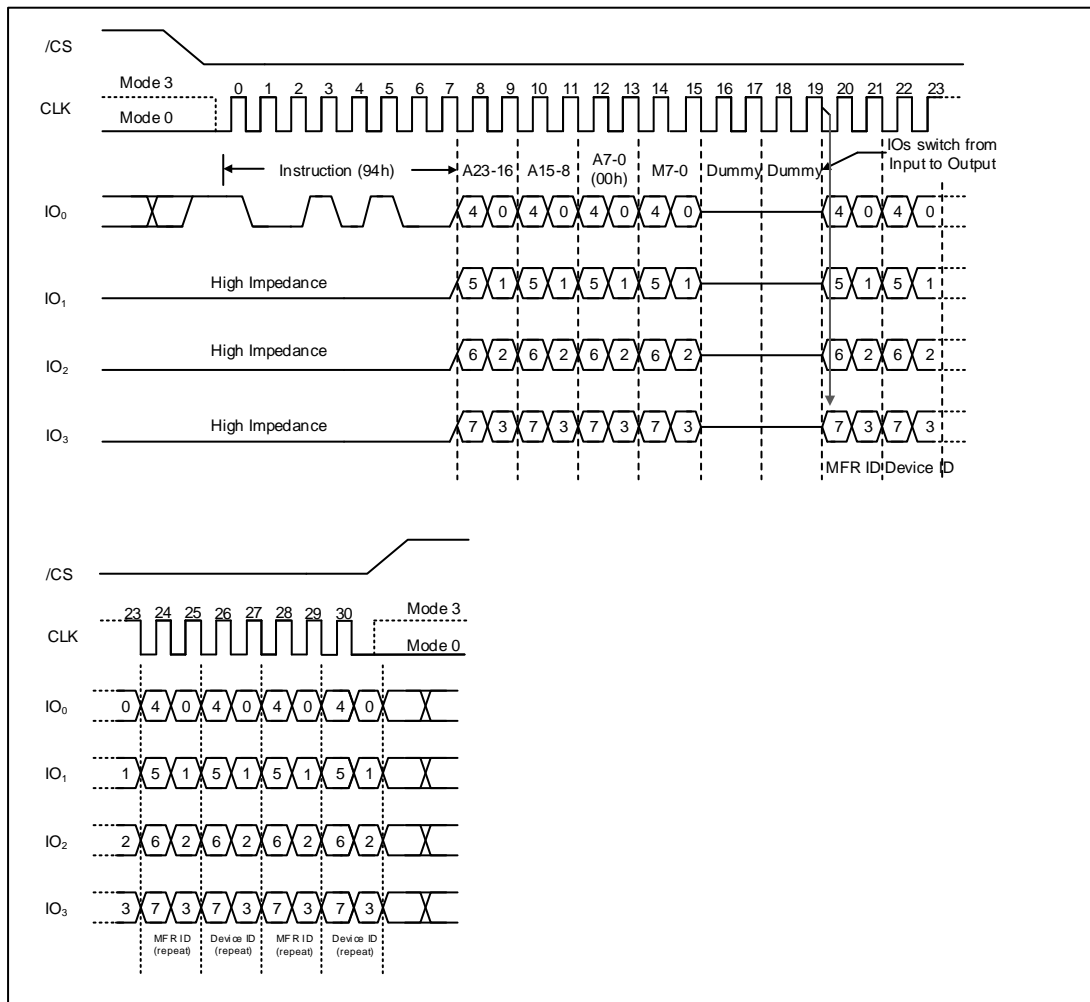


Figure 31. Read Manufacturer / Device ID Quad I/O Instruction (SPI Mode only)

Note:

The “Continuous Read Mode” bits M(7-0) must be set to Fxh to be compatible with Fast Read Quad I/O instruction.

The max frequency of Read Manufacturer / Device ID Quad I/O is 133Mhz when use default dummy cycle(=6 ,M(7-0))

If require 133Mhz ,the Dummy Cycle Bits(DC1&DC0) of status register 3 should be set to 01 or 11,then the dummy cycle is 8.

7.2.28 Read Unique ID Number (4Bh)

The Read Unique ID Number instruction accesses a factory-set read-only 64-bit number that is unique to each XM25QH64C device. The ID number can be used in conjunction with user software methods to help prevent copying or cloning of a system. The Read Unique ID instruction is initiated by driving the /CS pin low and shifting the instruction code “4Bh” followed by a four bytes of dummy clocks. After which, the 64-bit ID is shifted out on the falling edge of CLK as shown in Figure 32(the data will always be FFh when read after the 64-bit ID).

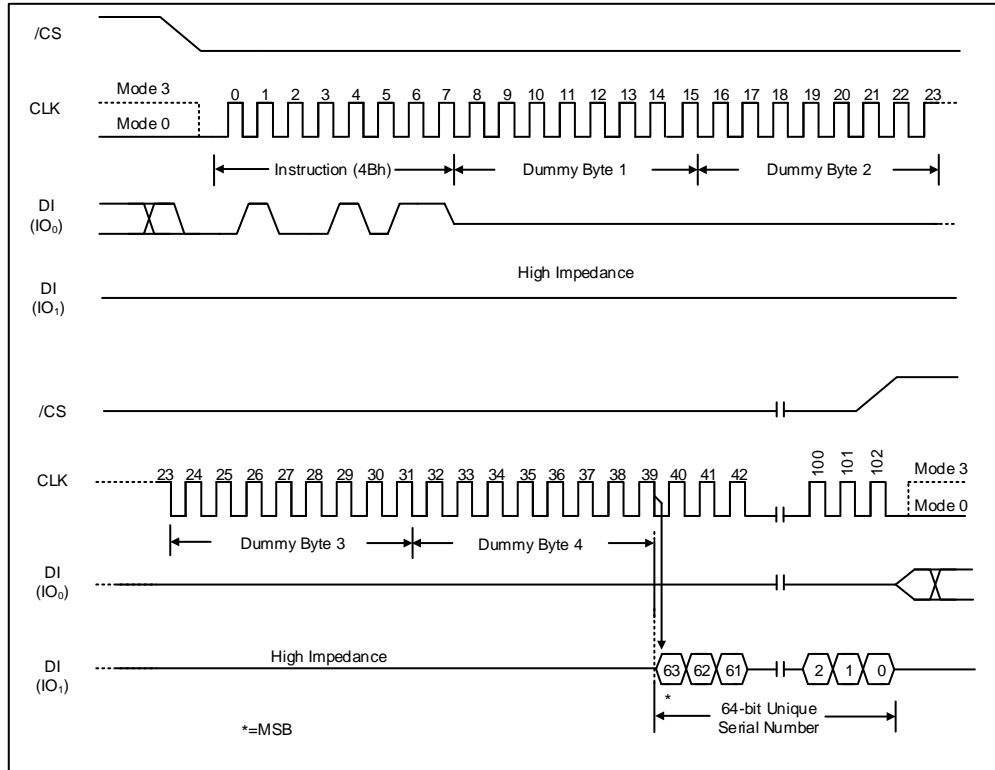


Figure 32. Read Unique ID Number Instruction (SPI Mode only)

7.2.29 Read JEDEC ID (9Fh)

For compatibility reasons, the XM25QH64C provides several instructions to electronically determine the identity of the device. The Read JEDEC ID instruction is compatible with the JEDEC standard for SPI compatible serial memories that was adopted in 2003. The instruction is initiated by driving the /CS pin low and shifting the instruction code “9Fh”. The JEDEC assigned Manufacturer ID byte for XMC (20h) and two Device ID bytes, Memory Type (ID15-ID8) and Capacity (ID7-ID0) are then shifted out on the falling edge of CLK with most significant bit (MSB) first as shown in Figure 33a & 33b. For memory type and capacity values refer to Manufacturer and Device Identification table.

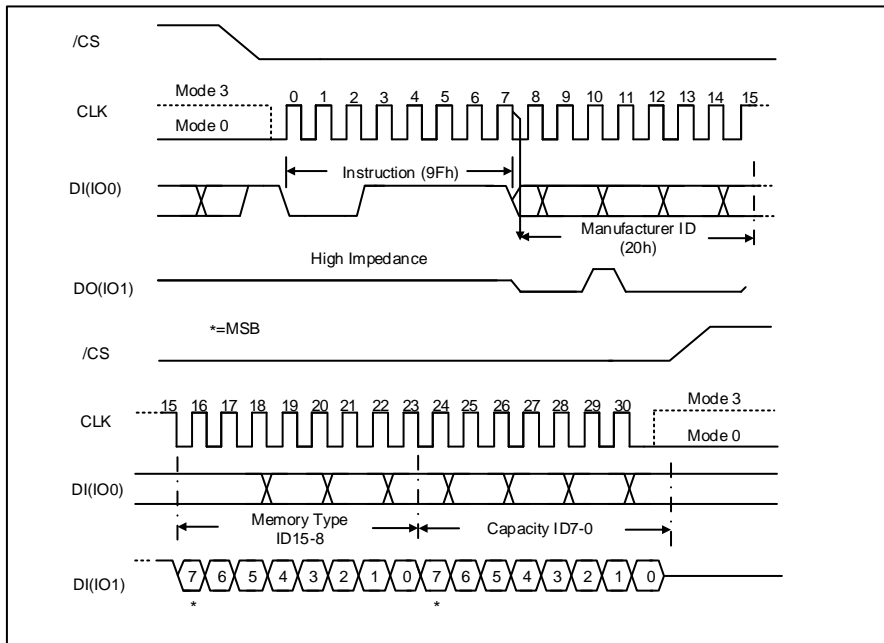


Figure 33a. Read JEDEC ID Instruction (SPI Mode)

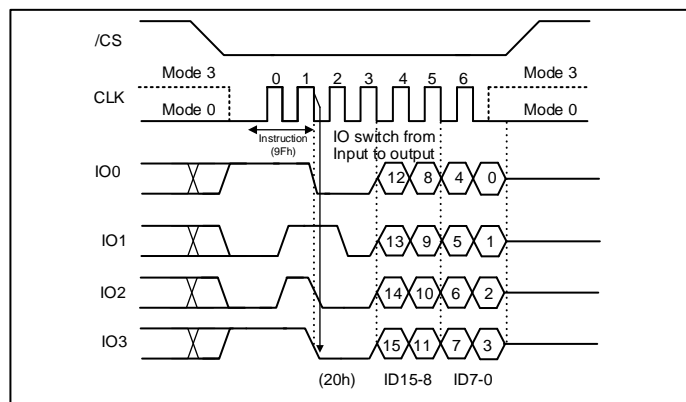


Figure 33b. Read JEDEC ID Instruction (QPI Mode)

7.2.30 Read SFDP Register (5Ah)

The XM25QH64C features a 256-Byte Serial Flash Discoverable Parameter (SFDP) register that contains information about device configurations, available instructions and other features. The SFDP parameters are stored in one or more Parameter Identification (PID) tables. Currently only one PID table is specified, but more may be added in the future. The Read SFDP Register instruction is compatible with the SFDP standard initially established in 2010 for PC and other applications, as well as the JEDEC standard JESD216 that is published in 2011.

The Read SFDP instruction is initiated by driving the /CS pin low and shifting the instruction code “5Ah” followed by a 24-bit address (A23-A0)⁽¹⁾ into the DI pin. Eight “dummy” clocks are also required before the SFDP register contents are shifted out on the falling edge of the 40th CLK with most significant bit (MSB) first as shown in Figure 34. The byte address is automatically incremented to the next byte address after each byte of data is shifted out. The last byte address of the register is FFh (the data will always be FFh when read after the last address), For SFDP register values and descriptions, please refer to please refer to the following SFDP Definition Table.

Note 1: A23-A8 = 0; A7-A0 are used to define the starting byte address for the 256-Byte SFDP Register.

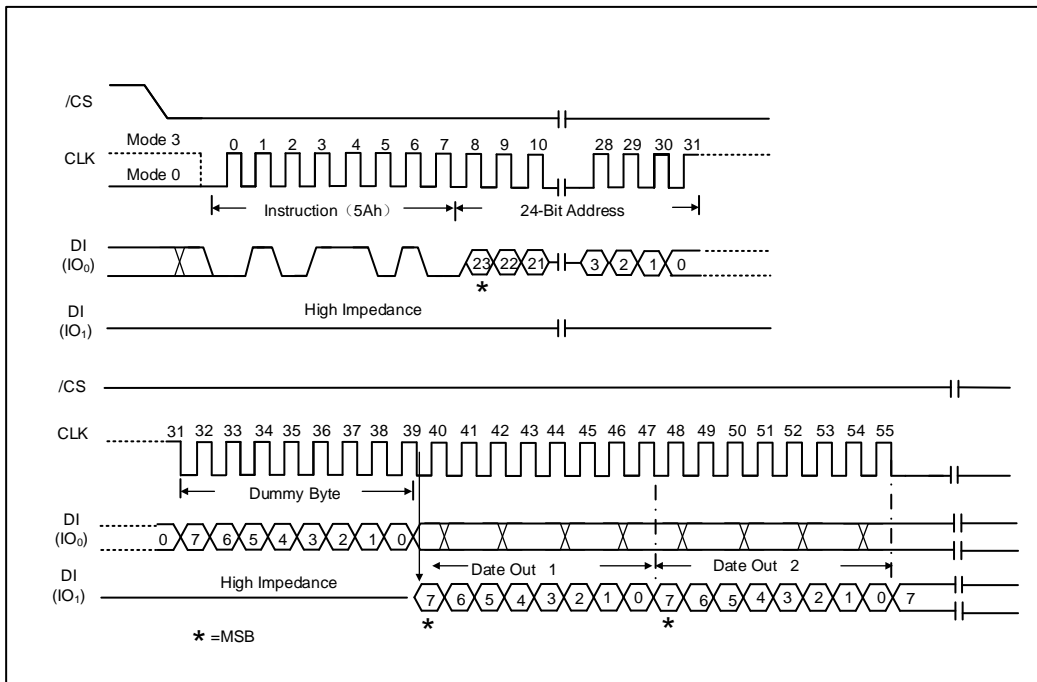


Figure 34. Read SFDP Register Instruction Sequence Diagram (Only SPI Mode)

Serial Flash Discoverable Parameters (SFDP) Signature and Parameter Identification Data Value (Advanced Information)

| Description | Add (h) (Byte) | DW Add (Bit) | Data | Comment |
|--|-------------------|-----------------|------|--|
| SFDP Signature | 00h | 07 : 00 | 53h | Fixed: 50444653h |
| | 01h | 15 : 08 | 46h | |
| | 02h | 23 : 16 | 44h | |
| | 03h | 31 : 24 | 50h | |
| SFDP Minor Revision Number | 04h | 07 : 00 | 06h | Star from 0x00 |
| SFDP Major Revision Number | 05h | 15 : 08 | 01h | Star from 0x01 |
| Number of Parameter Headers (NPH) | 06h | 23 : 16 | 02h | This number is 0-based. Therefore, 0 indicates 1 parameter header. |
| Unused | 07h | 31 : 24 | FFh | Reserved |
| ID Number(JEDEC) | 08h | 07 : 00 | 00h | 00h:it indicates a JEDEC specified header. |
| Parameter Table Minor Revision Number | 09h | 15 : 08 | 06h | Star from 0x00 |
| Parameter Table Major Revision Number | 0Ah | 23 : 16 | 01h | Star from 0x01 |
| Parameter Table Length (in double word) | 0Bh | 31 : 24 | 10h | How many DWORDs in the parameter table |
| Parameter Table Pointer (PTP) | 0Ch | 07 : 00 | 30h | First address of JEDEC Flash Parameter table |
| | 0Dh | 15 : 08 | 00h | |
| | 0Eh | 23 : 16 | 00h | |
| Unused | 0Fh | 31 : 24 | FFh | |
| ID number(Manufacturer ID) | 10h | 07 : 00 | 20h | It indicates manufacture ID |
| Parameter Table Minor Revision Number | 11h | 15 : 08 | 00h | Start from 00h |
| Parameter Table Major Revision Number | 12h | 23 : 16 | 01h | Start from 01h |
| Parameter Table Length(in double word) | 13h | 31 : 24 | 04h | How many DWORDs in the parameter table |
| Parameter Table Pointer(PTP) | 14h | 07 : 00 | D0h | First address of VENDOR Flash Parameter table |
| | 15h | 15 : 08 | 00h | |
| | 16h | 23 : 16 | 00h | |
| Unused | 17h | 31 : 24 | FFh | |
| ID number (4-byte Address Instruction) | 18h | 07 : 00 | 84h | 4-byte Address Instruction parameter ID |
| Parameter Table Minor Revision Number | 19h | 15 : 08 | 00h | Start from 00h |
| Parameter Table Major Revision Number | 1Ah | 23 : 16 | 01h | Start from 01h |
| Parameter Table Length (in double word) | 1Bh | 31 : 24 | 02h | How many DWORDs in the Parameter table |
| Parameter Table Pointer (PTP) | 1Ch | 07 : 00 | C0h | First address of 4-byte Address Instruction table |
| | 1Dh | 15 : 08 | 00h | |
| | 1Eh | 23 : 16 | 00h | |
| Unused | 1Fh | 31 : 24 | FFh | |

Parameter ID (0) JEDEC Flash Parameter Tables 1/9

| Description | Add (h) (Byte) | DW Add (Bit) | Data | Comment |
|---|-------------------|-----------------|---------|---|
| Block / Sector Erase sizes | 30h | 01 : 00 | 01b | 00:Reserved, 01:4KB erase, 10:Reserved, 11:not supported 4KB erase |
| Write Granularity | | 02 | 1b | 0:1Byte,1:64Byte or larger |
| Volatile Status Register Block Protect bits | | 03 | 0b | 0: Block Protect bits in device's status register are solely non-volatile or may be programmed either as volatile using the 50h instruction for write enable or non-volatile using the 06h instruction for write enable. 1: Block Protect bits in device's status register are solely volatile. |
| Write Enable Instruction Select for Writing to Volatile Status Registers | | 04 | 0b | 0:use 50h instruction 1:use 06h instruction |
| Unused | | 07 : 05 | 111b | Contains 111b and can never be changed |
| 4KB Erase Instruction | 31h | 15 : 08 | 20h | |
| (1-1-2) Fast Read⁽¹⁾ | 32h | 16 | 1b | 0 = not supported 1 = supported |
| Address Bytes Number used in addressing flash array | | 18 : 17 | 00b | 00:3Byte only, 01:3 or 4Byte 10:4Byte only, 11:Reserved |
| Double Transfer Rate(DTR) clocking | | 19 | 0b | 0 = not supported 1 = supported |
| (1-2-2) Fast Read | | 20 | 1b | 0 = not supported 1 = supported |
| (1-4-4) Fast Read | | 21 | 1b | 0 = not supported 1 = supported |
| (1-1-4) Fast Read | | 22 | 1b | 0 = not supported 1 = supported |
| Unused | | 23 | 1b | |
| Unused | | 33h | 31 : 24 | FFh |

Parameter ID (0) JEDEC Flash Parameter Tables 2/9

| Description | Add (h) (Byte) | DW Add (Bit) | Data | Comment |
|----------------------|-------------------|-----------------|-----------|---|
| Flash Memory Density | 37h : 34h | 31 : 00 | 03FFFFFFh | For densities 2 gigabits or less, bit-31 is set to 0b. The field 30:0 defines the size in bits. Example: 00FFFFFFh = 16 megabits For densities 4 gigabits and above, bit-31 is set to 1b. The field 30:0 defines 'N' where the density is computed as 2 ^N bits (N must be >= 32). Example: 80000021h = 2 ³³ = 8 gigabits |

Parameter ID (0) JEDEC Flash Parameter Tables 3/9

| Description | Add (h) (Byte) | DW Add (Bit) | Data | Comment |
|---|-------------------|-----------------|--------|---|
| (1-4-4)Fast Read number of Wait states ⁽²⁾ | 38h | 04 : 00 | 00100b | 00000b:Not supported;00100b:4 00110b:6 01000b:8 |
| (1-4-4)Fast Read number of Mode Clocks ⁽³⁾ | | 07 : 05 | 010b | Mode clocks: 000b:Not supported;010: 2 clocks |
| (1-4-4)Fast Read instruction | 39h | 15 : 08 | EBh | |
| (1-1-4)Fast Read Number of Wait states | 3Ah | 20 : 16 | 01000b | 00000b:Not supported;00100b:4 00100b:6; 01000b:8 |
| (1-1-4)Fast Read Number of Mode Clocks | | 23 : 21 | 000b | Mode clocks: 000b:Not supported;010b:2 clocks |
| (1-1-4)Fast Read Instruction | 3Bh | 31 : 24 | 6Bh | |

Parameter ID (0) JEDEC Flash Parameter Tables 4/9

| Description | Add (h) (Byte) | DW Add (Bit) | Data | Comment |
|--|-------------------|-----------------|--------|---|
| (1-1-2)Fast Read Number of Wait states | 3Ch | 04 : 00 | 01000b | 00000b:Not supported;00100b:4 00110b:6;01000b:8 |
| (1-1-2)Fast Read Number of Mode Clocks | | 07 : 05 | 000b | Mode clocks: 000b:Not supported;010:2 clocks |
| (1-1-2)Fast Read Instruction | 3Dh | 15 : 08 | 3Bh | |
| (1-2-2)Fast Read Number of Wait states | 3Eh | 20 : 16 | 00010b | 00000b:Not supported;00100b:4 0 0110b:6;01000b:8 |
| (1-2-2)Fast Read Number of Mode Clocks | | 23 : 21 | 010b | Mode clocks: 000b:Not supported;010:2 clocks |
| (1-2-2)Fast Read Instruction | 3Fh | 31 : 24 | BBh | |

Parameter ID (0) JEDEC Flash Parameter Tables 5/9

| Description | Add (h) (Byte) | DW Add (Bit) | Data | Comment |
|------------------|-------------------|-----------------|---------|------------------------------------|
| (2-2-2)Fast Read | 40h | 00 | 0b | 0 = not supported 1 = supported |
| Unused | | 03 : 01 | 111b | |
| (4-4-4)Fast Read | | 04 | 1b | 0 = not supported 1 = supported |
| Unused | | 07 : 05 | 111b | |
| Unused | 43h : 41h | 31 : 08 | FFFFFFh | |

Parameter ID (0) JEDEC Flash Parameter Tables 6/9

| Description | Add (h) (Byte) | DW Add (Bit) | Data | Comment |
|---|-------------------|-----------------|--------|--|
| Unused | 45h : 44h | 15 : 00 | FFFFh | |
| (2-2-2)Fast Read Number of Wait states | 46h | 20 : 16 | 00000b | 00000b:Not supported;00100b:4 00110b:6;01000b:8 |
| (2-2-2) Fast Read Number of Mode Clocks | | 23 : 21 | 000b | Mode Clocks: 000b:Not supported;010:2 clocks |
| (2-2-2)Fast Read Instruction | 47h | 31 : 24 | FFh | |

Parameter ID (0) JEDEC Flash Parameter Tables 7/9

| Description | Add (h) (Byte) | DW Add (Bit) | Data | Comment |
|---|-------------------|-----------------|--------|--|
| Unused | 49h : 48h | 15 : 00 | FFFFh | |
| (4-4-4)Fast Read Number of Wait states | 4Ah | 20 : 16 | 00000b | 00000b:Not supported;00100b:4 00110b:6;01000b:8 |
| (4-4-4) Fast Read Number of Mode Clocks | | 23 : 21 | 010b | Mode Clocks: 000b:Not supported;010:2 clocks |
| (4-4-4)Fast Read Instruction | 4Bh | 31 : 24 | EBh | |

Parameter ID (0) JEDEC Flash Parameter Tables 8/9

| Description | Add (h) (Byte) | DW Add (Bit) | Data | Comment |
|--------------------------------|-------------------|-----------------|------|--|
| Erase Type 1 Size | 4Ch | 07 : 00 | 0Ch | Sector/block size= 2^N bytes ⁽⁴⁾ 0Ch:4KB;0Fh:32KB;10h:64KB |
| Erase Type 1 Erase Instruction | 4Dh | 15 : 08 | 20h | |
| Erase Type 2 Size | 4Eh | 23 : 16 | 0Fh | Sector/block size= 2^N bytes 00h:NA;0Fh:32KB;10h:64KB |
| Erase Type 2 Erase Instruction | 4Fh | 31 : 24 | 52h | |

Parameter ID (0) JEDEC Flash Parameter Tables 9/9

| Description | Add (h) (Byte) | DW Add (Bit) | Data | Comment |
|--------------------------------|-------------------|-----------------|------|--|
| Erase Type 3 Size | 50h | 07 : 00 | 10h | Sector/block size= 2^N bytes 00h:NA;0Fh:32KB;10h:64KB |
| Erase Type 3 Erase Instruction | 51h | 15 : 08 | D8h | |

| | | | | |
|---------------------------------------|-----|---------|-----|--|
| Erase Type 4 Size | 52h | 23 : 16 | 00h | Sector/block size=2 ^N bytes 00h:NA;0Fh:32KB;10h:64KB |
| Erase Type 4 Erase Instruction | 53h | 31 : 24 | FFh | Not support |

Parameter ID (0) JEDEC Flash Parameter Tables 9/9

| Description | Add (h) (Byte) | DW Add (Bit) | Data | Comment |
|--|-------------------|-----------------|--------|--|
| Multiplier from typical erase time to maximum erase time | 54h | 03 : 00 | 0100b | Multiplier value: 0h~Fh (0~15) Max. time = 2 * (Multiplier + 1) * Typical Time |
| | | 07 : 04 | 00010b | Count value: 00h~1Fh (0~31) Typical Time = (Count + 1) * Units |
| Erase Type 1 Erase Time (Typical) | 55h | 08 | | |
| | | 10 : 09 | 01b | |
| Erase Type 2 Erase Time (Typical) | 56h | 15 : 11 | 00000b | Count value: 00h~1Fh (0~31) Typical Time = (Count + 1) * Units |
| | | 17 : 16 | 10b | Units 00: 1ms, 01: 16ms 10b: 128ms, 11b: 1s |
| Erase Type 3 Erase Time (Typical) | 56h | 22 : 18 | 00001b | Count value: 00h~1Fh (0~31) Typical Time = (Count + 1) * Units |
| | | 24 : 23 | 10b | Units 00: 1 ms, 01: 16 ms 10b: 128ms, 11b: 1s |
| Erase Type 4 Erase Time (Typical) | 57h | 29 : 25 | 00000b | Count value: 00h~1Fh (0~31) Typical Time = (Count + 1) * Units |
| | | 31 : 30 | 00b | Units 00: 1ms, 01: 16ms 10b: 128 ms, 11b: 1 s |
| Multiplier from typical time to max time for Page or byte program | 58h | 03 : 00 | 0010b | Multiplier value: 0h~Fh (0~15) Max. time = 2 * (Multiplier + 1) *Typical Time |
| Page Program Size | | 07 : 04 | 1000b | Page size = 2 ^N bytes 2 ⁸ = 256 bytes, 8h = 1000b |
| Page Program Time (Typical) | 59h | 12 : 08 | 00111b | Count value: 00h~1Fh (0~31) Typical Time = (Count + 1) * Units |
| | | 13 | 1b | Units 0: 8us, 1: 64us |
| Byte Program Time, First Byte (Typical) | 5Ah | 15 : 14 | 1110b | Count value: 0h~Fh (0~15) Typical Time = (Count + 1) * Units |
| | | 17 : 16 | | |
| Byte Program Time, Additional Byte (Typical) | 5Ah | 18 | 0b | Units 0: 1us, 1: 8us |
| | | 22 : 19 | 0000b | Count value: 0h~Fh (0~15) Typical Time = (Count + 1) * Units |
| | | 23 | 0b | Units 0: 1us, 1: 8us |

| | | | | |
|---|---------|---------|--------|--|
| Chip Erase Time (Typical) | 5Bh | 28 : 24 | 00110b | Count value: 00h~1Fh (0~31) Typical Time = (Count + 1) * Units |
| | | 30 : 29 | 10b | Units 00: 16ms, 01: 256ms 10: 4s, 11: 64s |
| | | 31 | 1b | Reserved |
| Reserved | | | | |
| Prohibited Operations During Program Suspend | 5Ch | 03 : 00 | 1100b | xxx0b : May not initiate a new erase anywhere (erase nesting not permitted) xxx1b : May not initiate a new erase in the program suspended page size xx0xb : May not initiate a new page program anywhere (program nesting not permitted) xx1xb : May not initiate a new page program in the program suspended page size x0xxb : Refer to vendor datasheet for read restrictions x1xxb : May not initiate a read in the program suspended page size 0xxxb : Additional erase or program restrictions apply 1xxxb : The erase and program restrictions in bits 1:0 are sufficient |
| | | 07 : 04 | 1100b | xxx0b : May not initiate a new erase anywhere (erase nesting not permitted) xxx1b : May not initiate a new erase in the erase suspended erase type size xx0xb : May not initiate a page program anywhere xx1xb : May not initiate a page program in the erase suspended erase type size x0xxb : Refer to vendor datasheet for read restrictions x1xxb : May not initiate a read in the erase suspended erase type size 0xxxb : Additional erase or program restrictions apply 1xxxb : The erase and program restrictions in bits 5:4 are sufficient |
| Reserved | | 08 | 1b | Reserved |
| Program Resume to Suspend Interval (Typical) | 5Dh | 12 : 09 | 0000b | Count value: 0h~Fh (0~15) Typical Time = (Count + 1) * 64us |
| Program Suspend Latency (Max.) | | 5Eh | 15: 13 | 10101b |
| | 17 : 16 | | | |

| | | | | |
|--|-----|---------|-----------|---|
| | | 19 : 18 | 01b | Units 00: 128ns, 01: 1us 10: 8us, 11: 64us |
| Erase Resume to Suspend Interval (Typical) | | 23 : 20 | 1111b | Count value: 0h~Fh (0~15) Typical Time = (Count + 1) * 64us |
| Erase Suspend Latency (Max.) | 5Fh | 28 : 24 | 10101b | Count value: 00h~1Fh (0~31) Maximum Time = (Count + 1) * Units |
| | | 30 : 29 | 01b | Units 00: 128ns, 01: 1us 10: 8us, 11: 64us |
| | | 31 | 0b | 0= Support 1= Not supported |
| Suspend / Resume supported | | | | |
| Program Resume Instruction | 60h | 07 : 00 | 7Ah | Instruction to Resume a Program |
| Program Suspend Instruction | 61h | 15 : 08 | 75h | Instruction to Suspend a Program |
| Erase Resume Instruction | 62h | 23 : 16 | 7Ah | Instruction to Resume Write/Erase |
| Erase Suspend Instruction | 63h | 31 : 24 | 75h | Instruction to Suspend Write/Erase |
| Reserved | | 01 : 00 | 11b | Reserved: 11b |
| Status Register Polling Device Busy | 64h | 07 : 02 | 111101b | Bit 2: Read WIP bit [0] by 05h Read instruction Bit 3: Read bit 7 of Status Register by 70h Read instruction (0=not supported 1=support) Bit 07:04,Reserved: 1111b |
| Release from Deep Power-down (RDP) Delay (Max.) | 65h | 12 : 08 | 10011b | Count value: 00h~1Fh (0~31) Maximum Time = (Count + 1) * Units |
| | | 14 : 13 | 01b | Units 00: 128ns, 01: 1us 10: 8us, 11: 64us |
| Release from Deep Power-down (RDP) Instruction | 66h | 15 | 10101011b | Instruction to Exit Deep Power Down FFh: Don't need command |
| | | 22 : 16 | | |
| Enter Deep Power Down Instruction | 67h | 23 | 10111001b | Instruction to Enter Deep Power Down |
| | | 30 : 24 | | |
| Deep Power Down Supported | | 31 | 0b | 0: Supported 1: Not supported |
| 4-4-4 Mode Disable Sequences | 68h | 03 : 00 | 1001b | Methods to exit 4-4-4 mode xxx1b : issue FFh instruction xx1xb : issue F5h instruction x1xxb : device uses a read-modify-write sequence of operations 1xxxb : issue the Soft Reset 66/99 sequence |
| 4-4-4 Mode Enable Sequences | | 07 : 04 | 00001b | Methods to enter 4-4-4 mode |

| | | | | |
|---|-----|---------|---------|--|
| | 69h | 08 | | x_xxx1b: set QE per QER description above, then issue instruction 38h x_xx1xb: issue instruction 38h x_x1xxb: issue instruction 35h |
| 0-4-4 Mode Supported | | 09 | 1b | Performance Enhance Mode, Continuous Read, Execute in Place 0: Not supported 1: Supported |
| 0-4-4 Mode Exit Method | | 15 : 10 | 111101b | xx_xxx1b: Mode Bits[7:0] = 00h will terminate this mode at the end of the current read operation. xx_xx1xb: If 3-Byte address active, input Fh on DQ0-DQ3 for 8 clocks. If 4-Byte address active, input Fh on DQ0-DQ3 for 10 clocks. xx_x1xxb: Reserved xx_1xxxb: Input Fh (mode bit reset) on DQ0-DQ3 for 8 clocks. x1_xxxxb: Mode Bit[7:0]≠Axh 1x_xxxxb: Reserved |
| 0-4-4 Mode Entry Method | 6Ah | 19 : 16 | 1101h | xxx1b: Mode Bits[7:0] = A5h Note: QE must be set prior to using this mode x1xxb: Mode Bit[7:0]=Axh 1xxxb: Reserved |
| Quad Enable (QE) bit Requirements | | 22 : 20 | 100b | 000b: No QE bit. Detects 1-1-4/1-4- 4 reads based on instruction 001b: QE is bit 1 of status register 2. 010b: QE is bit 6 of Status Register. where 1=Quad Enable or 0=not Quad Enable 111b: Not Supported |
| HOLD and RESET Disable by bit 4 of Ext. Configuration Register | | 23 | 0b | 0: Not supported |
| Reserved | 6Bh | 31 : 24 | FFh | Reserved |

| | | | | |
|---|------------|----------------|-----------------|---|
| <p>Volatile or Non-Volatile Register and Write Enable Instruction for Status Register 1</p> | <p>6Ch</p> | <p>06 : 00</p> | <p>1101001b</p> | <p>xxx_xxx1b: Non-Volatile Status Register 1, powers-up to last written value, use instruction 06h to enable write</p> <p>xxx_1xxx: Non-Volatile/Volatile status register 1 powers-up to last written value in the nonvolatile status register, use instruction 06h to enable write to non-volatile status register. Volatile status register may be activated after power-up to override the non-volatile status register, use instruction 50h to enable write and activate the volatile status register.</p> <p>xx1_xxxx: Status Register 1 contains a mix of volatile and non-volatile bits. The 06h instruction is used to enable writing of the register.</p> <p>x1x_xxxx: Reserved</p> <p>1xx_xxxx: Reserved</p> |
| <p>Reserved</p> | | <p>07</p> | <p>1b</p> | <p>Reserved</p> |
| <p>Soft Reset and Rescue Sequence Support</p> | <p>6Dh</p> | <p>13 : 08</p> | <p>010000b</p> | <p>Return the device to its default power-on state</p> <p>Exit 4-Byte Addressing issue reset enable instruction 66h, then issue reset instruction 99h.</p> |
| <p>Exit 4-Byte Addressing</p> | | <p>15 : 14</p> | <p>00b</p> | <p>xx_xxxx_xxx1b: issue instruction E9h to exit 4-Byte address mode (write</p> |

| | | | | |
|-------------------------|-----|---------|-----------|---|
| | 6Eh | 23 : 16 | 11000000b | <p>enable instruction 06h is not required) xx_xxxx_x1xxb: 8-bit volatile extended address register used to define A[31:A24] bits. Read with instruction C8h. Write instruction is C5h, data length is 1 byte. Return to lowest memory segment by setting A[31:24] to 00h and use 3-Byte addressing. xx_xx1x_xxxxb: Hardware reset xx_x1xx_xxxxb: Software reset (see bits 13:8 in this DWORD) xx_1xxx_xxxxb: Power cycle x1_xxxx_xxxxb: Reserved 1x_xxxx_xxxxb: Reserved</p> |
| Enter 4-Byte Addressing | 6Fh | 31 : 24 | 10000000b | <p>xxxx_xxx1b: issue instruction B7h (preceding write enable not required) xxxx_x1xxb: 8-bit volatile extended address register used to define A[31:24] bits. Read with instruction C8h. Write instruction is C5h with 1 byte of data. Select the active 128 Mbit memory segment by setting the appropriate A[31:24] bits and use 3-Byte addressing. xx1x_xxxxb: Supports dedicated 4-Byte address instruction set. Consult vendor data sheet for the instruction set definition. 1xxx_xxxxb: Reserved</p> |

Parameter ID (0) JEDEC Flash Parameter Tables 9/9

| Description | Add (h) (Byte) | DW Add (Bit) | Data | Comment |
|---|-------------------|-----------------|------|-----------------------------|
| Support for (1-1-1) READ Command, Instruction=13h | C0h | 00 | 0b | 0=not supported 1=supported |
| Support for (1-1-1) FAST_READ Command, Instruction=0Ch | | 01 | 0b | 0=not supported 1=supported |
| Support for (1-1-2) FAST_READ Command, Instruction=3Ch | | 02 | 0b | 0=not supported 1=supported |
| Support for (1-2-2) FAST_READ Command, Instruction=BCCh | | 03 | 0b | 0=not supported 1=supported |
| Support for (1-1-4) FAST_READ Command, Instruction=6Ch | | 04 | 0b | 0=not supported 1=supported |
| Support for (1-4-4) FAST_READ Command, Instruction=ECCh | | 05 | 0b | 0=not supported 1=supported |
| Support for (1-1-1) Page Program Command, Instruction=12h | | 06 | 0b | 0=not supported 1=supported |
| Support for (1-1-4) Page Program Command, Instruction=34h | | 07 | 0b | 0=not supported 1=supported |

| | | | | |
|--|-----|---------|-------|-----------------------------|
| Support for (1-4-4) Page Program Command, Instruction=3Eh | C1h | 08 | 0b | 0=not supported 1=supported |
| Support for Erase Command – Type 1 size, Instruction lookup in next Dword | | 09 | 0b | 0=not supported 1=supported |
| Support for Erase Command – Type 2 size, Instruction lookup in next Dword | | 10 | 0b | 0=not supported 1=supported |
| Support for Erase Command – Type 3 size, Instruction lookup in next Dword | | 11 | 0b | 0=not supported 1=supported |
| Support for Erase Command – Type 4 size, Instruction lookup in next Dword | | 12 | 0b | 0=not supported 1=supported |
| Support for (1-1-1) DTR_Read Command, Instruction=0Eh | | 13 | 0b | 0=not supported 1=supported |
| Support for (1-2-2) DTR_Read Command, Instruction=BEh | | 14 | 0b | 0=not supported 1=supported |
| Support for (1-4-4) DTR_Read Command, Instruction=EEh | | 15 | 0b | 0=not supported 1=supported |
| Support for volatile individual sector lock Read command, Instruction=E0h | C2h | 16 | 0b | 0=not supported 1=supported |
| Support for volatile individual sector lock Write command, Instruction=E1h | | 17 | 0b | 0=not supported 1=supported |
| Support for non-volatile individual sector lock read command, Instruction=E2h | | 18 | 0b | 0=not supported 1=supported |
| Support for non-volatile individual sector lock write command, Instruction=E3h | | 19 | 0b | 0=not supported 1=supported |
| Reserved | | 23 : 20 | 1111b | Reserved |
| Reserved | C3h | 31 : 24 | FFh | Reserved |
| Instruction for Erase Type 1 | C4h | 07 : 00 | FFh | FFh=not supported |
| Instruction for Erase Type 2 | C5h | 15 : 08 | FFh | FFh=not supported |
| Instruction for Erase Type 3 | C6h | 23 : 16 | FFh | FFh=not supported |
| Instruction for Erase Type 4 | C7h | 31 : 24 | FFh | FFh=not supported |

Parameter ID (0) Flash Parameter Tables

| Description | Add (h) (Byte) | DW Add (Bit) | Data | Comment |
|-----------------------------------|-------------------|-----------------|-------|--|
| Vcc supply maximum voltage | D1h:D0h | 07:00 | 00h | 2000h=2.000V |
| | | 15:08 | 36h | 2700h=2.700V 3600h=3.600V |
| Vcc supply minimum voltage | D3h:D2h | 23:16 | 00h | 1650h=1.65V 1750h=1.75V 2250h=2.25V |
| | | 31:24 | 23h | 2300h=2.3V 2350h=2.35V 2650h=2.65V 2700h=2.7V |
| H/W Reset# pin | D5h:D4h | 0 | F99Fh | 0 = not supported 1 = supported |
| H/W Hold# pin | | 1 | | 0 = not supported 1 = supported |

| | | | | |
|---|---------|-------|-----------|---|
| Deep Power Down Mode | | 2 | | 0 = not supported 1 = supported |
| S/W Reset | | 3 | | 0 = not supported 1 = supported |
| S/W Reset Instruction | | 11:04 | | Reset Enable(66h)should be issued before Reset instruction |
| Program suspend/resume | | 12 | | 0 = not supported 1 = supported |
| Erase suspend/resume | | 13 | | 0 = not supported 1 = supported |
| Unused | | 14 | | |
| Wrap-Around Read mode | | 15 | | 0 = not supported 1 = supported |
| Wrap-Around Read mode instruction | D6h | 23:16 | 77h | |
| Wrap-Around Read data length | D7h | 31:24 | 64h | 08h:support 8B wrap-around read 16h:8B&16B 32h:8B&16B&32B 64h:8B&16B&32B&64B |
| Individual block lock | | 0 | | 0 = not supported 1 = supported |
| Individual block lock bit(Volatile/Nonvolatile) | | 1 | | 0:Volatile 1:Nonvolatile |
| Individual block lock Instruction | | 09:02 | | 0 = not supported 1 = supported |
| Individual block lock Volatile protect bit default protect status | | 10 | | 0:Protect 1:Unprotect |
| Secured OTP | DBh:D8h | 11 | E800h | 0 = not supported 1 = supported |
| Read Lock | | 12 | | 0 = not supported 1 = supported |
| Permanent Lock | | 13 | | 0 = not supported 1 = supported |
| Unused | | 15:14 | | |
| Unused | | 31:16 | FFFFh | |
| Unused | DFh:DCh | 31:00 | FFFFFFFFh | |

Note 1: (x-y-z) means I/O mode nomenclature used to indicate the number of active pins used for the instruction (x), address (y), and data (z). At the present time, the only valid Read SFDP instruction modes are: (1-1-1), (2-2-2),and (4-4-4)

Note 2: **Wait States** is required dummy clock cycles after the address bits or optional mode clocks.

Note 3: **Mode clocks** is optional control bits that follow the address bits. These bits are driven by the system controller if they are specified. (eg,read performance enhance toggling bits)

Note 4: 4KB=2⁰Ch,32KB=2⁰Fh,64KB=2¹0h

Note 5: All unused and undefined area data is blank FFh.

7.2.31 Erase Security Registers (44h)

The XM25QH64C offers three 256-byte Security Registers which can be erased and programmed individually. These registers may be used by the system manufacturers to store security and other important information separately from the main memory array.

The Erase Security Register instruction is similar to the Sector Erase instruction. A Write Enable instruction must be executed before the device will accept the Erase Security Register Instruction (Status Register bit WEL must equal 1). The instruction is initiated by driving the /CS pin low and shifting the instruction code “44h” followed by a 24-bit address (A23-A0) to erase one of the three security registers.

| ADDRESS | A23-16 | A15-12 | A11-8 | A7-0 |
|----------------------|--------|---------|---------|------------|
| Security Register #1 | 00h | 0 0 0 1 | 0 0 0 0 | Don't Care |
| Security Register #2 | 00h | 0 0 1 0 | 0 0 0 0 | Don't Care |
| Security Register #3 | 00h | 0 0 1 1 | 0 0 0 0 | Don't Care |

The Erase Security Register instruction sequence is shown in Figure 35. The /CS pin must be driven high after the eighth bit of the last byte has been latched. If this is not done the instruction will not be executed. After /CS is driven high, the self-timed Erase Security Register operation will commence for a time duration of tSE (See AC Characteristics). While the Erase Security Register cycle is in progress, the Read Status Register instruction may still be accessed for checking the status of the BUSY bit. The BUSY bit is a 1 during the erase cycle and becomes a 0 when the cycle is finished and the device is ready to accept other instructions again. After the Erase Security Register cycle has finished the Write Enable Latch (WEL) bit in the Status Register is cleared to 0. The Security Register Lock Bits (LB3-1) in the Status Register-2 can be used to OTP protect the security registers. Once a lock bit is set to 1, the corresponding security register will be permanently locked, Erase Security Register instruction to that register will be ignored (Refer to section 6.1.9 for detail descriptions)..

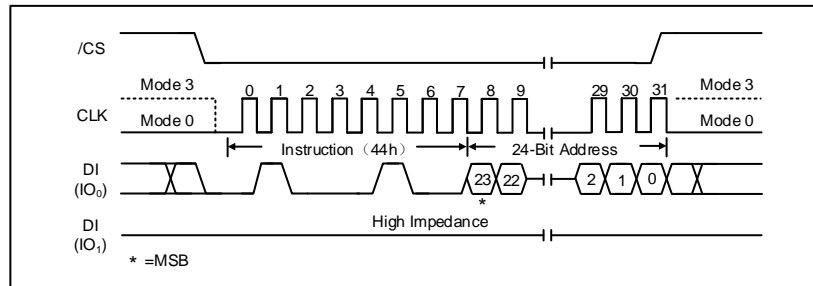


Figure 35. Erase Security Registers Instruction (SPI Mode only)

7.2.32 Program Security Registers (42h)

The Program Security Register instruction is similar to the Page Program instruction. It allows from one byte to 256 bytes of security register data to be programmed at previously erased (FFh) memory locations. A Write Enable instruction must be executed before the device will accept the Program Security Register Instruction (Status Register bit WEL= 1). The instruction is initiated by driving the /CS pin low then shifting the instruction code “42h” followed by a 24-bit address (A23-A0) and at least one data byte, into the DI pin. The /CS pin must be held low for the entire length of the instruction while data is being sent to the device.

| ADDRESS | A23-16 | A15-12 | A11-8 | A7-0 |
|----------------------|--------|---------|---------|--------------|
| Security Register #1 | 00h | 0 0 0 1 | 0 0 0 0 | Byte Address |
| Security Register #2 | 00h | 0 0 1 0 | 0 0 0 0 | Byte Address |
| Security Register #3 | 00h | 0 0 1 1 | 0 0 0 0 | Byte Address |

The Program Security Register instruction sequence is shown in Figure 36. The Security Register Lock Bits (LB3-1) in the Status Register-2 can be used to OTP protect the security registers. Once a lock bit is set to 1, the corresponding security register will be permanently locked, Program Security Register instruction to that register will be ignored (Refer to section 6.1.9 for detail descriptions)..

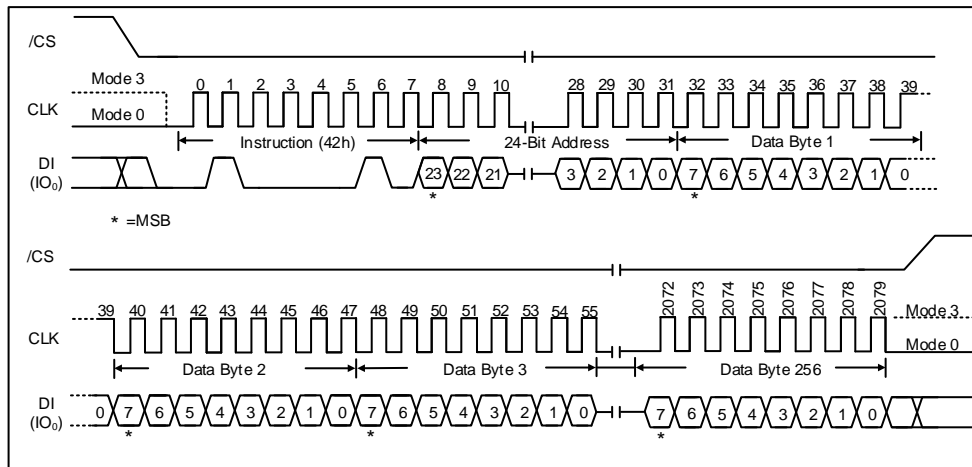


Figure 36. Program Security Registers Instruction (SPI Mode only)

7.2.33 Read Security Registers (48h)

The Read Security Register instruction is similar to the Fast Read instruction and allows one or more data bytes to be sequentially read from one of the three security registers. The instruction is initiated by driving the /CS pin low and then shifting the instruction code “48h” followed by a 24-bit address (A23-A0) and eight “dummy” clocks into the DI pin. The code and address bits are latched on the rising edge of the CLK pin. After the address is received, the data byte of the addressed memory location will be shifted out on the DO pin at the falling edge of CLK with most significant bit (MSB) first. The byte address is automatically incremented to the next byte address after each byte of data is shifted out. Once the byte address reaches the last byte of the register (byte address FFh), it will reset to address 00h, the first byte of the register, and continue to increment. The instruction is completed by driving /CS high. The Read Security Register instruction sequence is shown in Figure 37. If a Read Security Register instruction is issued while an Erase, Program or Write cycle is in process (BUSY=1) the instruction is ignored and will not have any effects on the current cycle. The Read Security Register instruction allows clock rates from D.C. to a maximum of FR (see AC Electrical Characteristics).

| ADDRESS | A23-16 | A15-12 | A11-8 | A7-0 |
|----------------------|--------|---------|---------|--------------|
| Security Register #1 | 00h | 0 0 0 1 | 0 0 0 0 | Byte Address |
| Security Register #2 | 00h | 0 0 1 0 | 0 0 0 0 | Byte Address |
| Security Register #3 | 00h | 0 0 1 1 | 0 0 0 0 | Byte Address |

Note: If the 24-bit address (A23-A0) out of the table, the data of the addressed memory location will always be FFh.

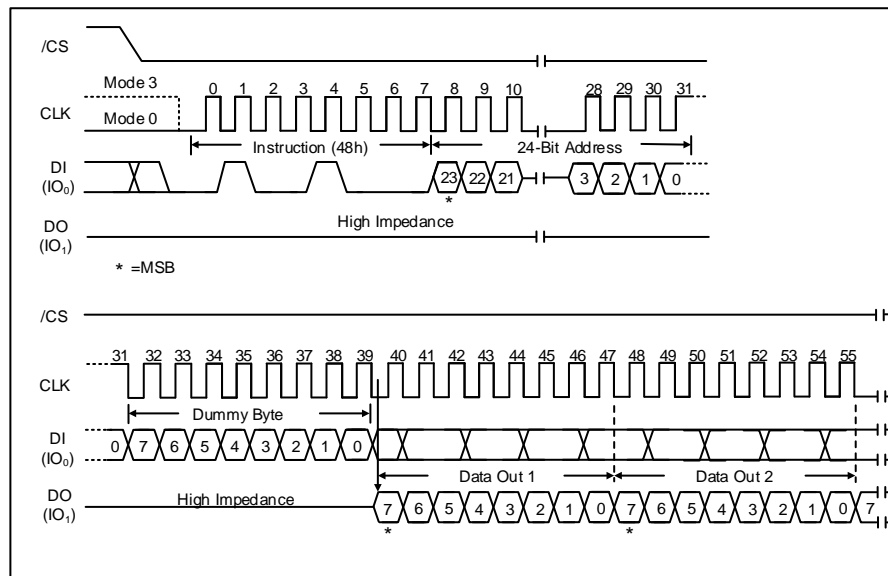


Figure 37. Read Security Registers Instruction (SPI Mode only)

7.2.34 Set Read Parameters (C0h)

In QPI mode, to accommodate a wide range of applications with different needs for either maximum read frequency or minimum data access latency, “Set Read Parameters (C0h)” instruction can be used to configure the number of dummy clocks for “Fast Read (0Bh)”, “Fast Read Quad I/O (EBh)” & “Burst Read with Wrap (0Ch)” instructions, and to configure the number of bytes of “Wrap Length” for the “Burst Read with Wrap (0Ch)” instruction.

In Standard SPI mode, the “Set Read Parameters (C0h)” instruction is not accepted. The dummy clocks for various Fast Read instructions in Standard/Dual/Quad SPI mode are set in Dummy Cycle Bits, please refer to the Status register 3 for details. The “Wrap Length” is set by W5-4 bit in the “Set Burst with Wrap (77h)” instruction.

The default “Wrap Length” after a power up or a Reset instruction is 8 bytes, the default number of dummy clocks is 2. The number of dummy clocks is only programmable for “Fast Read (0Bh)”, “Fast Read Quad I/O (EBh)” & “Burst Read with Wrap (0Ch)” instructions in the QPI mode. Whenever the device is switched from SPI mode to QPI mode, the number of dummy clocks should be set again, prior to any 0Bh, EBh or 0Ch instructions.

| P5 – P4 | DUMMY CLOCKS | MAXIMUM READ FREQ. | P1 – P0 | WRAP LENGTH |
|---------|--------------|--------------------|---------|-------------|
| 0 0 | 2 | 40MHz | 0 0 | 8-byte |
| 0 1 | 4 | 80MHz | 0 1 | 16-byte |
| 1 0 | 6 | 108MHz | 1 0 | 32-byte |
| 1 1 | 8 | 133MHz | 1 1 | 64-byte |

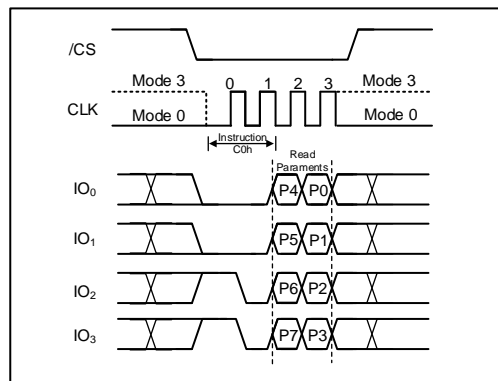


Figure 38. Set Read Parameters Instruction (QPI Mode only)

7.2.35 Burst Read with Wrap (0Ch)

The “Burst Read with Wrap (0Ch)” instruction provides an alternative way to perform the read operation with “Wrap Around” in QPI mode. The instruction is similar to the “Fast Read (0Bh)” instruction in QPI mode, except the addressing of the read operation will “Wrap Around” to the beginning boundary of the “Wrap Length” once the ending boundary is reached.

The “Wrap Length” and the number of dummy clocks can be configured by the “Set Read Parameters (C0h)” instruction.

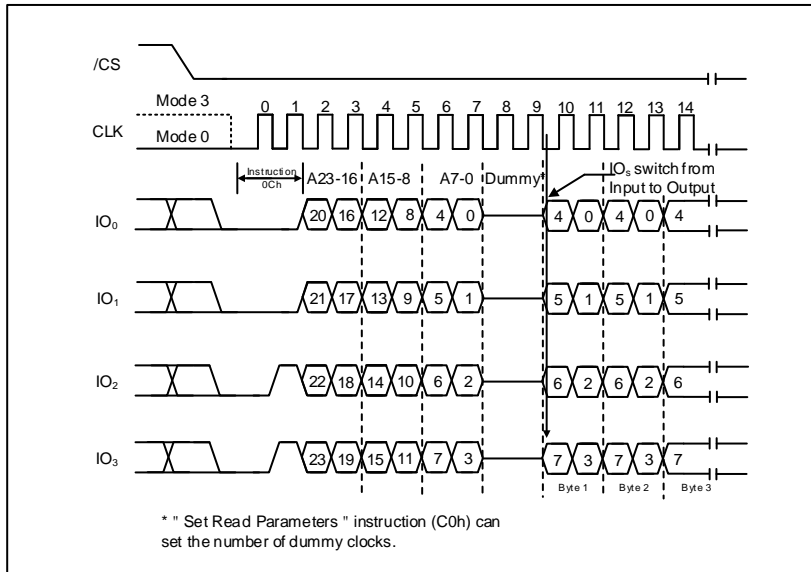


Figure 39. Burst Read with Wrap Instruction (QPI Mode only)

7.2.36 Enter QPI Mode (38h)

The XM25QH64C support both Standard/Dual/Quad Serial Peripheral Interface (SPI) and Quad Peripheral Interface (QPI). However, SPI mode and QPI mode cannot be used at the same time. “Enter QPI (38h)” instruction is the only way to switch the device from SPI mode to QPI mode.

Upon power-up, the default state of the device upon is Standard/Dual/Quad SPI mode. This provides full backward compatibility with earlier generations of XMC serial flash memories. See Instruction Set Table 1-3 for all supported SPI commands. In order to switch the device to QPI mode, the Quad Enable (QE) bit in Status Register-2 must be set to 1 first, and an “Enter QPI (38h)” instruction must be issued. If the Quad Enable (QE) bit is 0, the “Enter QPI (38h)” instruction will be ignored and the device will remain in SPI mode.

See Instruction Set Table 3 for all the commands supported in QPI mode.

When the device is switched from SPI mode to QPI mode, the existing Write Enable and Program/Erase Suspend status will remain unchanged, but the Wrap Length setting will reset to default.

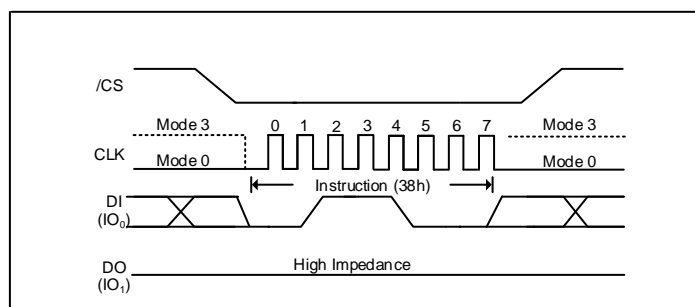


Figure 40. Enter QPI Instruction (SPI Mode only)

7.2.37 Exit QPI Mode (FFh)

In order to exit the QPI mode and return to the Standard/Dual/Quad SPI mode, an “Exit QPI (FFh)” instruction must be issued.

When the device is switched from QPI mode to SPI mode, the existing Write Enable Latch (WEL) and Program/Erase Suspend status, and the Wrap Length setting will remain unchanged.

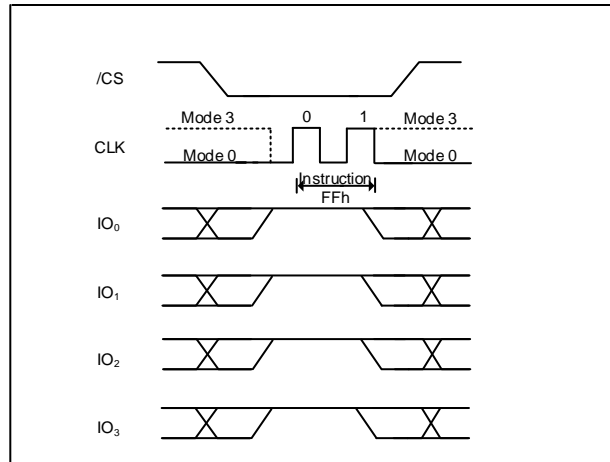


Figure 41. Exit QPI Instruction (QPI Mode only)

7.2.38 Enable Reset (66h) and Reset Device (99h)

Because of the small package and the limitation on the number of pins, the XM25QH64C provide a software Reset instruction instead of a dedicated RESET pin. Once the Reset instruction is accepted, any on-going internal operations will be terminated and the device will return to its default power-on state and lose all the current volatile settings, such as Volatile Status Register bits, Write Enable Latch (WEL) status, Program/Erase Suspend status, Read parameter setting (P7-P0) and Wrap Bit setting (W6-W4).

“Enable Reset (66h)” and “Reset (99h)” instructions can be issued in either SPI mode or QPI mode. To avoid accidental reset, both instructions must be issued in sequence. Any other commands other than “Reset (99h)” after the “Enable Reset (66h)” command will disable the “Reset Enable” state. A new sequence of “Enable Reset (66h)” and “Reset (99h)” is needed to reset the device. Once the Reset command is accepted by the device, the device will take approximately $t_{SR}=28\mu s$ to reset. During this period, no command will be accepted.

Data corruption may happen if there is an on-going or suspended internal Erase or Program operation when Reset command sequence is accepted by the device. It is recommended to check the BUSY bit and the SUS bit in Status Register before issuing the Reset command sequence.

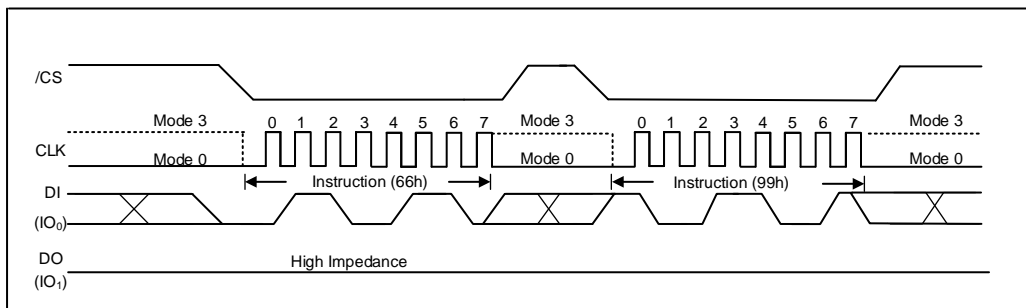


Figure 42a. Enable Reset and Reset Instruction Sequence (SPI Mode)

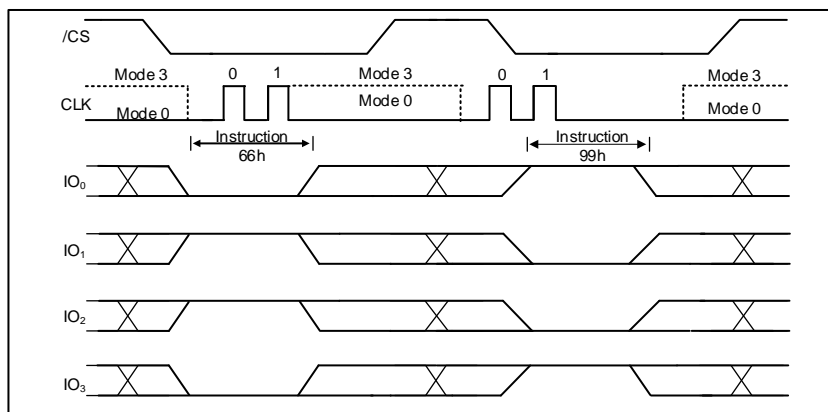


Figure 42b. Enable Reset and Reset Instruction Sequence (QPI Mode)

7.2.39 Under deep power down mode-Deep Power-Down(79H)

The Ultra-Deep Power-Down mode allows the device to consume far less power compared to the standby and Deep Power-Down modes by shutting down additional internal circuitry.

When the device is in the Ultra-Deep Power-Down mode, all commands including the Status Register Read and Resume from Deep Power-Down commands will be ignored. Since all commands will be ignored, the mode can be used as an extra protection mechanism against program and erase operations.

Entering the Ultra-Deep Power-Down mode is accomplished by simply driving /CS low in Deep Power-down mode, shifting the instruction code “79h” into the Data Input (DI) pin on the rising edge of CLK, and then driving /CS high. Any additional data clocked into the device after the instruction will be ignored. When the /CS pin is high, the device will enter the Ultra-Deep Power-Down mode within the maximum time of tEUDPD(See AC Characteristics).

The complete instruction code must be clocked in before the /CS pin is driving high, and the /CS pin must be driving high on an even byte boundary (multiples of eight bits); otherwise, the device will abort the operation and return to the standby mode once the /CS pin is driving high. In addition, the device will default to the standby mode after a power cycle.

The Ultra-Deep Power-Down command will be ignored if an internally self-timed operation such as a program or erase cycle is in progress. The Ultra-Deep Power-Down command must be reissued after the internally self-timed operation has been completed in order for the device to enter the Ultra-Deep Power-Down mode.

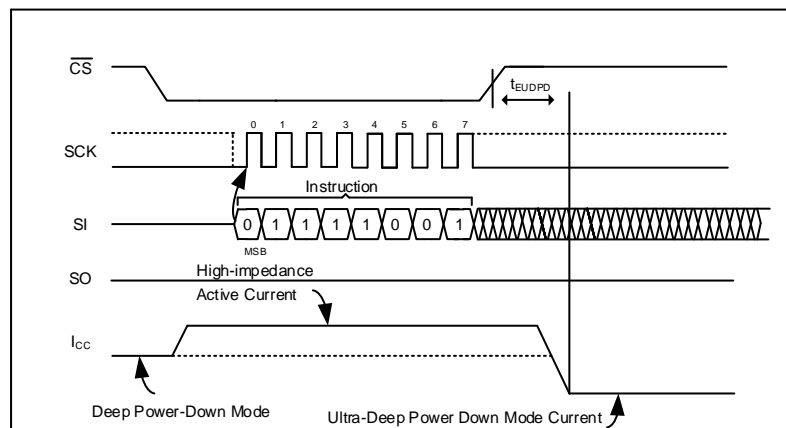


Figure 43. Ultra-Deep Power-Down

7.2.40 Exit Ultra-Deep Power-Down

To exit from the Ultra-Deep Power-Down mode, the /CS pin must simply be driving low, waiting the minimum necessary tCSLU(See AC Characteristics) time, and then driving /CS high. To facilitate simple software development, a dummy byte can also be entered while the /CS pin is being pulsed just as in a normal operation like the Program Suspend operation; the dummy byte is simply ignored by the device in this case. After the /CS pin has been driving high, the device will exit from the Ultra-Deep Power-Down mode and return to the standby mode within a maximum time of tXUDPD(See AC Characteristics). If the /CS pin is driving low again before the tXUDPD(See AC Characteristics) time has elapsed in an attempt to start a new operation, then that operation will be ignored and nothing will be performed. The system must wait for the device to return to the standby mode before normal command operations such as Continuous Array Read can be resumed.

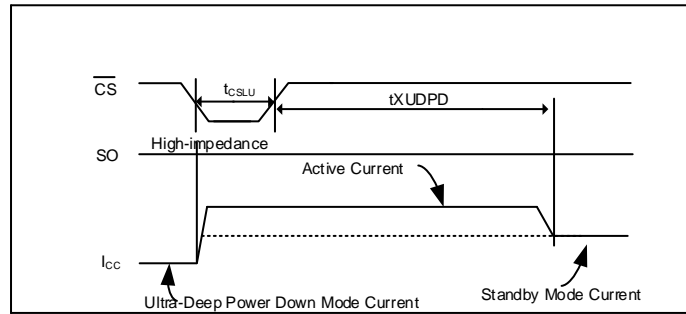


Figure 44. Exit Ultra-Deep Power-Down

8. ELECTRICAL CHARACTERISTICS

8.1 Absolute Maximum Ratings ⁽¹⁾⁽²⁾

| PARAMETERS | SYMBOL | CONDITIONS | RANGE | UNIT |
|---------------------------------|----------------------|---------------------------------------|-------------------------|------|
| Supply Voltage | VCC | | -0.6 to 4.6V | V |
| Voltage Applied to Any Pin | VIO | Relative to Ground | -0.6 to VCC+0.4 | V |
| Transient Voltage on any Pin | VIOT | <20nS Transient Relative to Ground | -2.0V to VCC+2.0V | V |
| Storage Temperature | TSTG | | -65 to +150 | °C |
| Lead Temperature | TLEAD ⁽³⁾ | | See Note ⁽³⁾ | °C |
| Electrostatic Discharge Voltage | VESD ⁽²⁾ | Human Body Model | -2000 to +2000 | V |

Notes:

1.This device has been designed and tested for the specified operation ranges. Proper operation outside of these levels is not guaranteed. Exposure to absolute maximum ratings may affect device reliability. Exposure beyond absolute maximum ratings may cause permanent damage.

2.JEDEC Std JESD22-A114A (C1=100pF, R1=1500 ohms, R2=500 ohms).

3.Compliant with JEDEC Standard J-STD-20C for small body Sn-Pb or Pb-free (Green) assembly and the European directive on restrictions on hazardous substances (RoHS) 2002/95/EU.

8.2 Operating Ranges

| PARAMETER | SYMBOL | CONDITIONS | SPEC | | UNIT |
|--------------------------------|--------------------|---|------|------|------|
| | | | MIN | MAX | |
| Supply Voltage | VCC ⁽¹⁾ | F _R = 133MHz, f _R = 66MHz | 2.3 | 3.6 | V |
| Ambient Temperature, Operating | TA | Industrial | -40 | +85 | °C |
| | | Industrial Plus | -40 | +105 | °C |

Note:

1.VCC voltage during Read can operate across the min and max range but should not exceed ±10% of the programming (erase/write) voltage.

8.3 Power-Up Power-Down Timing and Requirements⁽¹⁾

| PARAMETER | SYMBOL | SPEC | | UNIT |
|---------------------------------|-----------------|------|-----|------|
| | | MIN | MAX | |
| VCC (min) to /CS Low | tVSL | 1 | | ms |
| Write Inhibit Threshold Voltage | V _{WI} | 1.0 | 2.1 | V |

Note:

1. These parameters are characterized only.

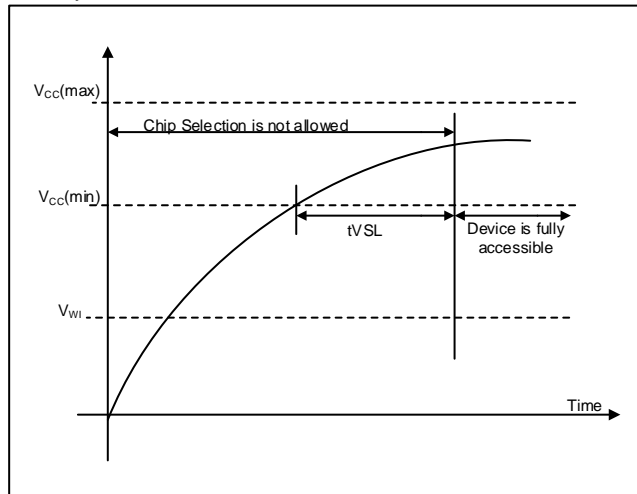


Figure 45a. Power-up Timing and Voltage Levels

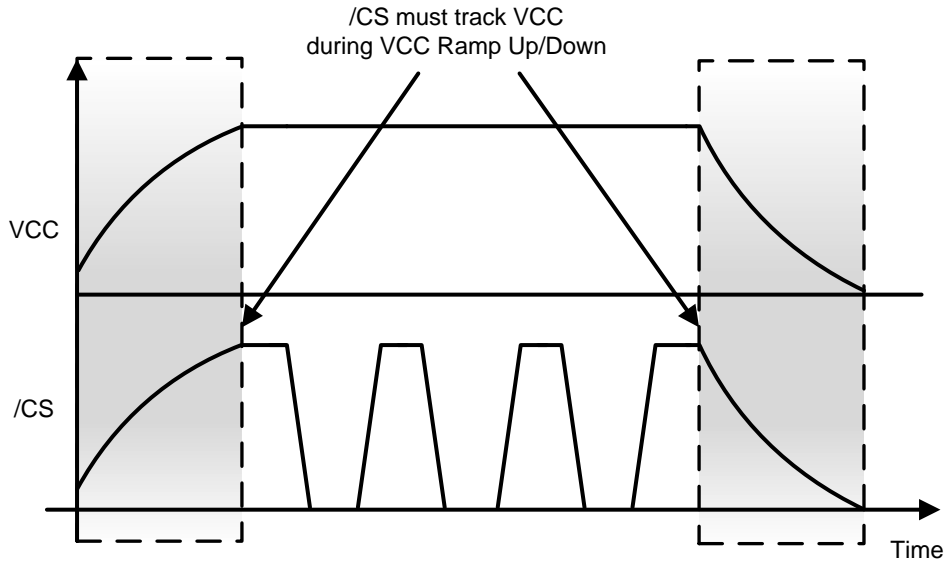


Figure 45b. Power-up, Power-Down Requirement

| PARAMETER | SYMBOL | SPEC | | UNIT |
|---|------------------|------|-----|------|
| | | MIN | MAX | |
| The minimum duration for ensuring initialization will occur | t _{PWD} | 100 | | us |
| VCC voltage needed to below V _{PWD} for ensuring initialization will occur | V _{PWD} | | 0.9 | V |

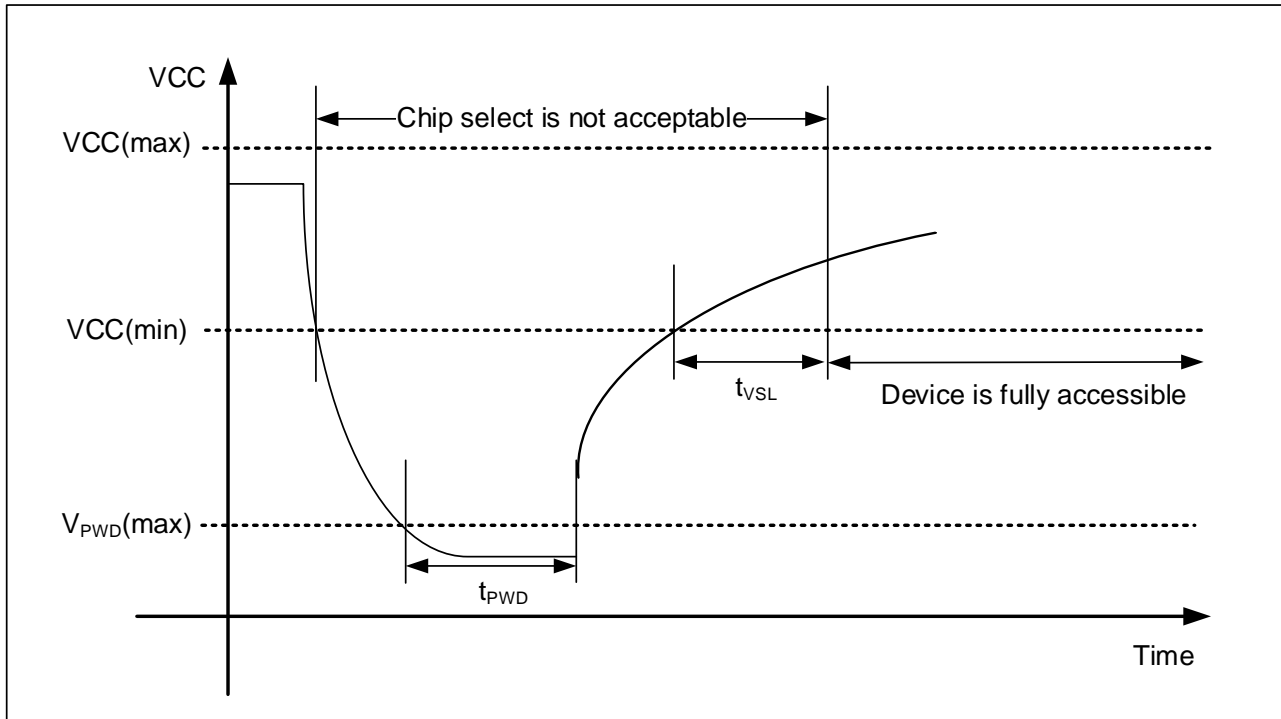


Figure 45C. Power-Down Requirement

8.4 DC Electrical Characteristics (-40~85°C)

| PARAMETER | SYMBOL | CONDITIONS | SPEC | | | UNIT |
|---|--------|---|-----------|-----|-----------|------|
| | | | MIN | TYP | MAX | |
| Input Leakage | ILI | | | | ±2 | μA |
| I/O Leakage | ILO | | | | ±2 | μA |
| Standby Current | ICC1 | /CS = VCC, VIN = GND or VCC | | 18 | 50 | μA |
| Power-down Current | ICC2 | /CS = VCC, VIN = GND or VCC | | 6 | 25 | μA |
| Ultra Deep Power-down Current | ICC3 | /CS = VCC, VIN = VSS or VCC | | 1 | 5 | μA |
| Operating Current (Read) ⁽¹⁾ | ICC4 | CLK = 0.1 VCC / 0.9 VCC at 133mHz, DQ = open(1,2,4 I/O) | | 7 | 18 | mA |
| | | CLK = 0.1 VCC / 0.9 VCC at 66MHz, DQ = open(1,2,4 I/O) | | 6 | 16 | mA |
| Operating Current (PP) | ICC5 | /CS = VCC | | 8 | 20 | mA |
| Operating Current (WRSR) | ICC6 | /CS = VCC | | 3 | 12 | mA |
| Operating Current (SE,BE) | ICC7 | /CS = VCC | | 4 | 20 | mA |
| Operating Current (CE) | ICC7 | /CS = VCC | | 8 | 20 | mA |
| Input Low Voltage | VIL | | -0.5 | | VCC x 0.2 | V |
| Input High Voltage | VIH | | VCC x 0.8 | | VCC + 0.4 | V |
| Output Low Voltage | VOL | IOL = 100 μA | | | 0.2 | V |
| Output High Voltage | VOH | IOH = -100 μA | VCC - 0.2 | | | V |

Notes:

(1) 0XFF Pattern.

(-40~105°C)

| PARAMETER | SYMBOL | CONDITIONS | SPEC | | | UNIT |
|---|--------|---|-----------|-----|-----------|------|
| | | | MIN | TYP | MAX | |
| Input Leakage | ILI | | | | ±2 | μA |
| I/O Leakage | ILO | | | | ±2 | μA |
| Standby Current | ICC1 | /CS = VCC, VIN = GND or VCC | | 18 | 50 | μA |
| Power-down Current | ICC2 | /CS = VCC, VIN = GND or VCC | | 6 | 25 | μA |
| Ultra Deep Power-down Current | ICC3 | /CS = VCC, VIN = VSS or VCC | | 1 | 5 | μA |
| Operating Current (Read) ⁽¹⁾ | ICC4 | CLK = 0.1 VCC / 0.9 VCC at 133MHz, DQ = open(1,2,4 I/O) | | 7 | 18 | mA |
| | | CLK = 0.1 VCC / 0.9 VCC at 66MHz, DQ = open(1,2,4 I/O) | | 6 | 16 | mA |
| Operating Current (PP) | ICC5 | /CS = VCC | | 8 | 20 | mA |
| Operating Current (WRSR) | ICC6 | /CS = VCC | | 3 | 12 | mA |
| Operating Current (SE,BE) | ICC7 | /CS = VCC | | 4 | 20 | mA |
| Operating Current (CE) | ICC7 | /CS = VCC | | 8 | 20 | mA |
| Input Low Voltage | VIL | | -0.5 | | VCC x 0.2 | V |
| Input High Voltage | VIH | | VCC x 0.8 | | VCC + 0.4 | V |
| Output Low Voltage | VOL | IOL = 100 μA | | | 0.2 | V |
| Output High Voltage | VOH | IOH = -100 μA | VCC - 0.2 | | | V |

Notes:

(1) 0XFF Pattern.

8.5 AC Measurement Conditions⁽¹⁾

| PARAMETER | SYMBOL | SPEC | | UNIT |
|----------------------------------|--------|--------------------|-----|------|
| | | MIN | MAX | |
| Load Capacitance | CL | | 30 | pF |
| Input Rise and Fall Times | TR, TF | | 5 | ns |
| Input Pulse Voltages | VIN | 0.1 VCC to 0.9 VCC | | V |
| Input Timing Reference Voltages | IN | 0.2 VCC to 0.8 VCC | | V |
| Output Timing Reference Voltages | OUT | 0.5 VCC to 0.5 VCC | | V |

Note:

1. Output Hi-Z is defined as the point where data out is no longer driven.

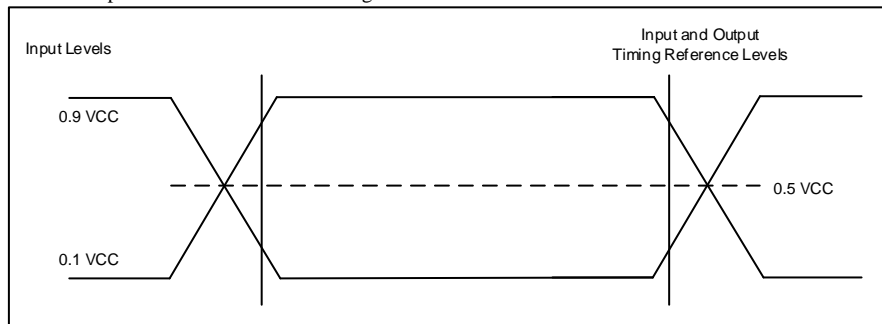


Figure 46. AC Measurement I/O Waveform

8.6 AC Electrical Characteristics⁽⁵⁾ (-40~85°C)

| DESCRIPTION | SYMBOL | ALT | SPEC | | | UNIT |
|--|--|------------------|-----------|-----|-----|------|
| | | | MIN | TYP | MAX | |
| Serial Clock Frequency for: FAST_READ, QPP, PP, SE, HBE, BE, DP, RES, WREN, WRDI, WRSR, RDSR, RDID, Dual Output Fast Read, Dual I/O Fast Read | F _R | f _{C1} | D.C. | | 133 | MHz |
| Serial Clock Frequency for: Quad Output, Quad I/O Fast Read, Quad I/O Word Read and Burst Read | F _R | f _{C2} | D.C. | | 133 | MHz |
| Clock frequency for Read | f _R | | D.C. | | 66 | MHz |
| Clock High, Low Time | t _{CLH} , t _{CLL} ⁽¹⁾ | | 45% PC | | | ns |
| Serial Clock Rise Time (Slew Rate) | t _{CLCH} ⁽²⁾ | | 0.1 | | | V/ns |
| Serial Clock Fall Time (Slew Rate) | t _{CHCL} ⁽²⁾ | | 0.1 | | | V/ns |
| /CS Active Setup Time relative to CLK | t _{SLCH} | t _{CSS} | 5 | | | ns |
| /CS Not Active Hold Time relative to CLK | t _{CHSL} | | 5 | | | ns |
| Data In Setup Time | t _{DVCH} | t _{DSU} | 2 | | | ns |
| Data In Hold Time | t _{CHDX} | t _{DH} | 3 | | | ns |
| /CS Active Hold Time relative to CLK | t _{CHSH} | | 5 | | | ns |
| /CS Not Active Setup Time relative to CLK | t _{SHCH} | | 5 | | | ns |
| /CS Deselect Time (for Read) | t _{SHSL1} | t _{CSH} | 7 | | | ns |
| /CS Deselect Time (for Erase or Program or write) | t _{SHSL2} | t _{CSH} | 30 | | | ns |
| Output Disable Time | t _{SHQZ} ⁽²⁾ | t _{DIS} | | | 6 | ns |
| Clock Low to Output Valid for 30pF | t _{CLQV} | t _V | | | 7 | ns |
| Clock Low to Output Valid for 15pF | t _{CLQV} | t _V | | | 6 | ns |
| Output Hold Time | t _{CLQX} | t _{HO} | 1 | | | ns |
| /HOLD Active Setup Time relative to CLK | t _{HLCH} | | 5 | | | ns |
| /HOLD Active Hold Time relative to CLK | t _{CHHH} | | 5 | | | ns |
| /HOLD Not Active Setup Time relative to CLK | t _{HHCH} | | 5 | | | ns |
| /HOLD Not Active Hold Time relative to CLK | t _{CHHL} | | 5 | | | ns |

Continued – next page AC Electrical Characteristics (cont'd)

AC Electrical Characteristics (cont'd)

| DESCRIPTION | SYMBOL | ALT | SPEC | | | UNIT |
|---|--------------------------|-----|------|------|------|------|
| | | | MIN | TYP | MAX | |
| /HOLD to Output Low-Z | tHHQX ⁽²⁾ | tLZ | | | 6 | ns |
| /HOLD to Output High-Z | tHLQZ ⁽²⁾ | tHZ | | | 6 | ns |
| Write Protect Setup Time Before /CS Low | tWHSL ⁽³⁾ | | 20 | | | ns |
| Write Protect Hold Time After /CS High | tSHWL ⁽³⁾ | | 100 | | | ns |
| /CS High to Power-down Mode | tDP ⁽²⁾ | | | | 20 | μs |
| /CS High to Standby Mode without ID Read | tRES1 ⁽²⁾ | | | | 20 | μs |
| /CS High to Standby Mode with ID Read | tRES2 ⁽²⁾ | | | | 20 | μs |
| /CS High to next Instruction after Suspend | tSUS ⁽²⁾ | | | | 22 | μs |
| Latency Between Resume And Next Suspend | tERS ⁽²⁾ | | | | 1000 | μs |
| /RESET pin Low period to reset the device | tRESET ⁽²⁾⁽⁴⁾ | | 1 | | | μs |
| Write Status Register Time | tW | | | 1 | 50 | ms |
| Page Program Time | tPP | | | 0.5 | 3 | ms |
| Sector Erase Time (4KB) | tSE | | | 40 | 400 | ms |
| Block Erase Time (32KB) | tBE1 | | | 0.12 | 0.9 | s |
| Block Erase Time (64KB) | tBE2 | | | 0.25 | 1.8 | s |
| Chip Erase Time | tCE | | | 25 | 50 | s |
| Software Reset Latency(WIP = write operation) | t _{SR} | | | | 28 | μs |
| Software Reset Latency(WIP = not in write operation) | t _{SR} | | | | 0.3 | μs |
| the maximum time to enter the Ultra-Deep Power-Down mode | tEUDPD | | | | 2 | μs |
| /CS low to /CS high time(Exit Ultra-Deep Power-Down mode) | tCSLU | | 100 | | | ns |
| /CS high to exit(Exit Ultra-Deep Power-Down mode) | tXUDPD | | 1 | | | ms |

Notes:

- 1.Clock high or Clock low must be more than or equal to 45%Pc. Pc=1/fc(max)
- 2.Value guaranteed by design and/or characterization, not 100% tested in production.
- 3.Only applicable as a constraint for a Write Status Register instruction when SRP[1:0]=(0,1).
- 4.It's possible to reset the device with shorter t_{RESET} (as short as a few hundred ns), a 1us minimum is recommended to ensure reliable operation.
- 5.4-bytes address alignment for QPI/Quad Read

(-40~105°C)

| DESCRIPTION | SYMBOL | ALT | SPEC | | | UNIT |
|--|--|------------------|-----------|-----|-----|------|
| | | | MIN | TYP | MAX | |
| Serial Clock Frequency for: FAST_READ, QPP, PP, SE, HBE, BE, DP, RES, WREN, WRDI, WRSR, RDSR, RDID, Dual Output Fast Read, Dual I/O Fast Read | F _R | fc ₁ | D.C. | | 133 | MHz |
| Serial Clock Frequency for: Quad Output, Quad I/O Fast Read, Quad I/O Word Read and Burst Read | F _R | fc ₂ | D.C. | | 133 | MHz |
| Clock frequency for Read | f _R | | D.C. | | 66 | MHz |
| Clock High, Low Time | t _{CLH} , t _{CLL} ⁽¹⁾ | | 45% PC | | | ns |
| Serial Clock Rise Time (Slew Rate) | t _{CLCH} ⁽²⁾ | | 0.1 | | | V/ns |
| Serial Clock Fall Time (Slew Rate) | t _{CHCL} ⁽²⁾ | | 0.1 | | | V/ns |
| /CS Active Setup Time relative to CLK | t _{SLCH} | t _{CSS} | 5 | | | ns |
| /CS Not Active Hold Time relative to CLK | t _{CHSL} | | 5 | | | ns |
| Data In Setup Time | t _{DVCH} | t _{DSU} | 2 | | | ns |
| Data In Hold Time | t _{CHDX} | t _{DH} | 3 | | | ns |
| /CS Active Hold Time relative to CLK | t _{CHSH} | | 5 | | | ns |
| /CS Not Active Setup Time relative to CLK | t _{SHCH} | | 5 | | | ns |
| /CS Deselect Time (for Read) | t _{SHSL1} | t _{CSH} | 7 | | | ns |
| /CS Deselect Time (for Erase or Program or write) | t _{SHSL2} | t _{CSH} | 30 | | | ns |
| Output Disable Time | t _{SHQZ} ⁽²⁾ | t _{DIS} | | | 6 | ns |
| Clock Low to Output Valid for 30pF | t _{CLQV} | t _V | | | 7 | ns |
| Clock Low to Output Valid for 15pF | t _{CLQV} | t _V | | | 6 | ns |
| Output Hold Time | t _{CLQX} | t _{HO} | 1 | | | ns |
| /HOLD Active Setup Time relative to CLK | t _{HLCH} | | 5 | | | ns |
| /HOLD Active Hold Time relative to CLK | t _{CHHH} | | 5 | | | ns |
| /HOLD Not Active Setup Time relative to CLK | t _{HHCH} | | 5 | | | ns |
| /HOLD Not Active Hold Time relative to CLK | t _{CHHL} | | 5 | | | ns |

Continued – next page AC Electrical Characteristics (cont'd)

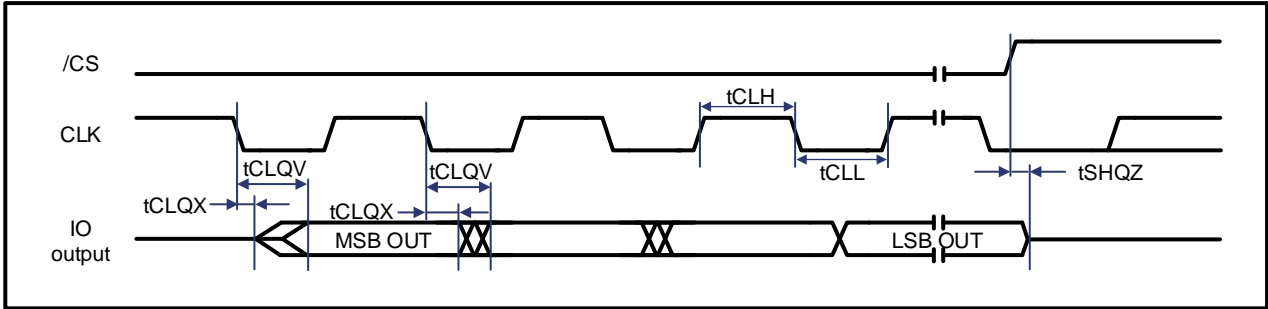
AC Electrical Characteristics (cont'd)

| DESCRIPTION | SYMBOL | ALT | SPEC | | | UNIT |
|---|--------------------------|-----|------|------|------|------|
| | | | MIN | TYP | MAX | |
| /HOLD to Output Low-Z | tHHQX ⁽²⁾ | tLZ | | | 6 | ns |
| /HOLD to Output High-Z | tHLQZ ⁽²⁾ | tHZ | | | 6 | ns |
| Write Protect Setup Time Before /CS Low | tWHSL ⁽³⁾ | | 20 | | | ns |
| Write Protect Hold Time After /CS High | tSHWL ⁽³⁾ | | 100 | | | ns |
| /CS High to Power-down Mode | tDP ⁽²⁾ | | | | 20 | μs |
| /CS High to Standby Mode without ID Read | tRES1 ⁽²⁾ | | | | 20 | μs |
| /CS High to Standby Mode with ID Read | tRES2 ⁽²⁾ | | | | 20 | μs |
| /CS High to next Instruction after Suspend | tSUS ⁽²⁾ | | | | 22 | μs |
| Latency Between Resume And Next Suspend | tERS ⁽²⁾ | | | | 1000 | μs |
| /RESET pin Low period to reset the device | tRESET ⁽²⁾⁽⁴⁾ | | 1 | | | μs |
| Write Status Register Time | tW | | | 1 | 50 | ms |
| Page Program Time | tPP | | | 0.5 | 3 | ms |
| Sector Erase Time (4KB) | tSE | | | 40 | 400 | ms |
| Block Erase Time (32KB) | tBE1 | | | 0.12 | 0.9 | s |
| Block Erase Time (64KB) | tBE2 | | | 0.25 | 1.8 | s |
| Chip Erase Time | tCE | | | 25 | 50 | s |
| Software Reset Latency(WIP = write operation) | t _{SR} | | | | 28 | μs |
| Software Reset Latency(WIP = not in write operation) | t _{SR} | | | | 0.3 | μs |
| the maximum time to enter the Ultra-Deep Power-Down mode | tEUDPD | | | | 2 | μs |
| /CS low to /CS high time(Exit Ultra-Deep Power-Down mode) | tCSLU | | 100 | | | ns |
| /CS high to exit(Exit Ultra-Deep Power-Down mode) | tXUDPD | | 1 | | | ms |

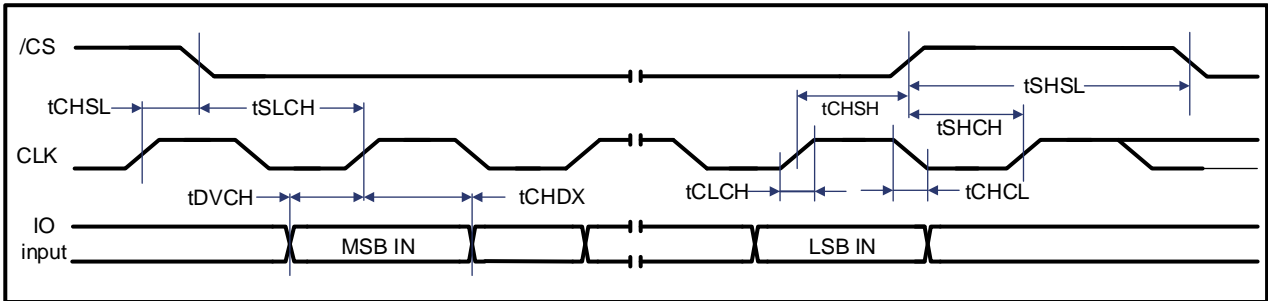
Notes:

- 1.Clock high or Clock low must be more than or equal to 45%Pc. Pc=1/fc(max)
- 2.Value guaranteed by design and/or characterization, not 100% tested in production.
- 3.Only applicable as a constraint for a Write Status Register instruction when SRP[1:0]=(0,1).
- 4.It's possible to reset the device with shorter t_{RESET} (as short as a few hundred ns), a 1us minimum is recommended to ensure reliable operation.
- 5.4-bytes address alignment for QPI/Quad Read

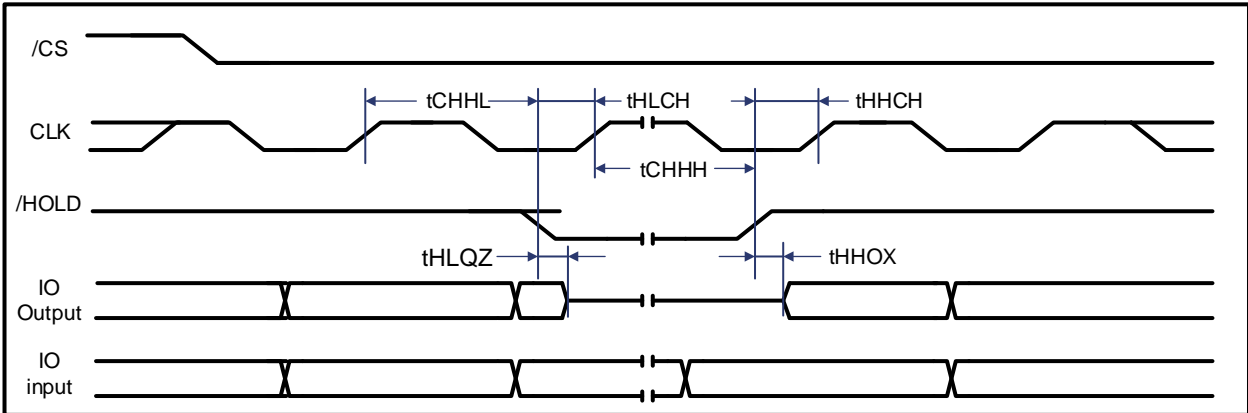
8.7 Serial Output Timing



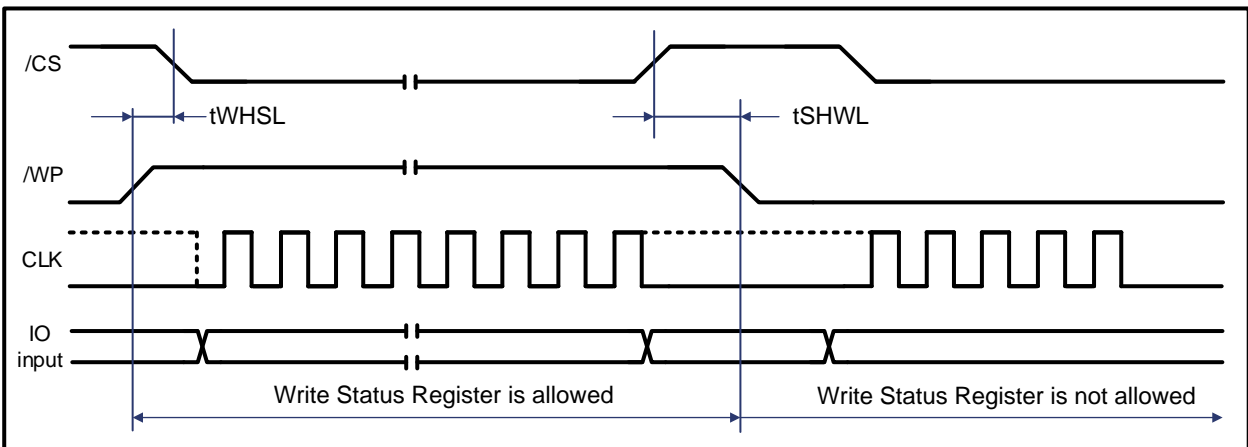
8.8 Serial Input Timing



8.9 /HOLD Timing

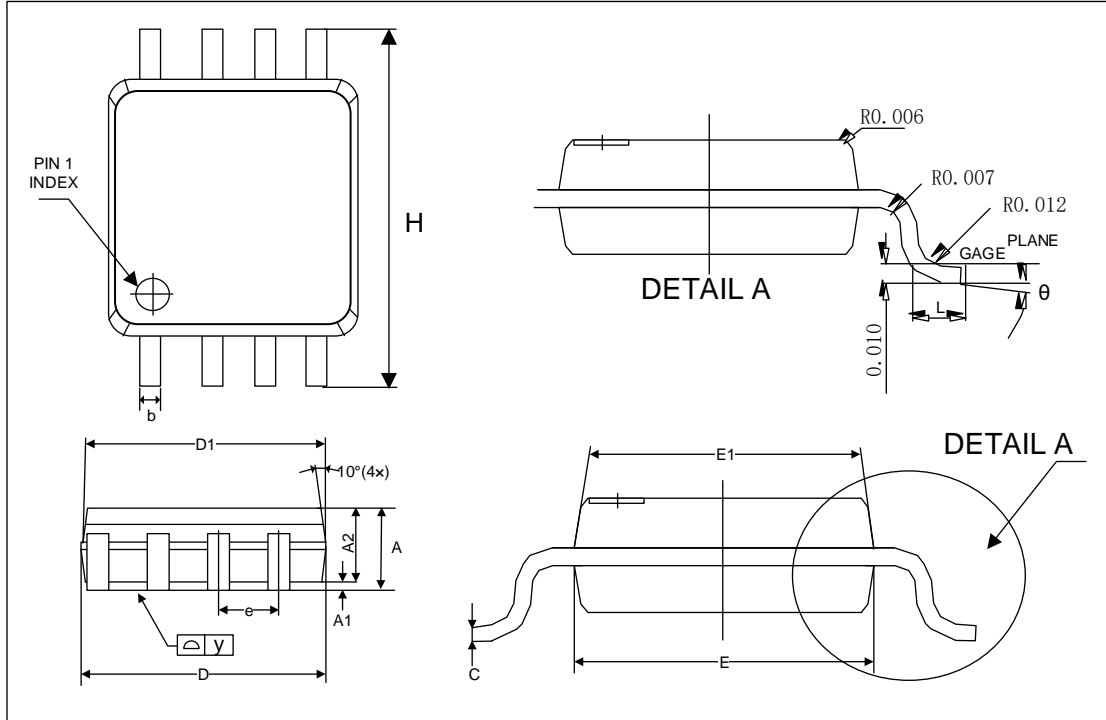


8.10 /WP Timing



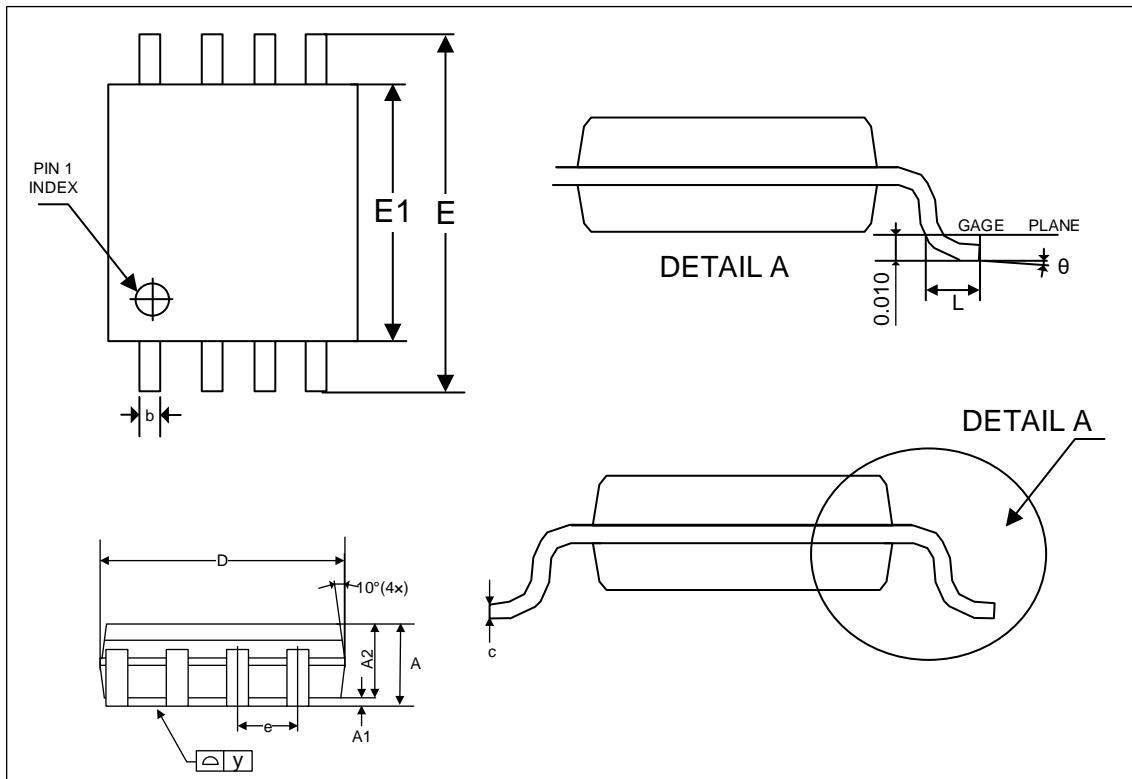
9. PACKAGE SPECIFICATIONS

9.1 SOP 208mil 8L (Package Code H)



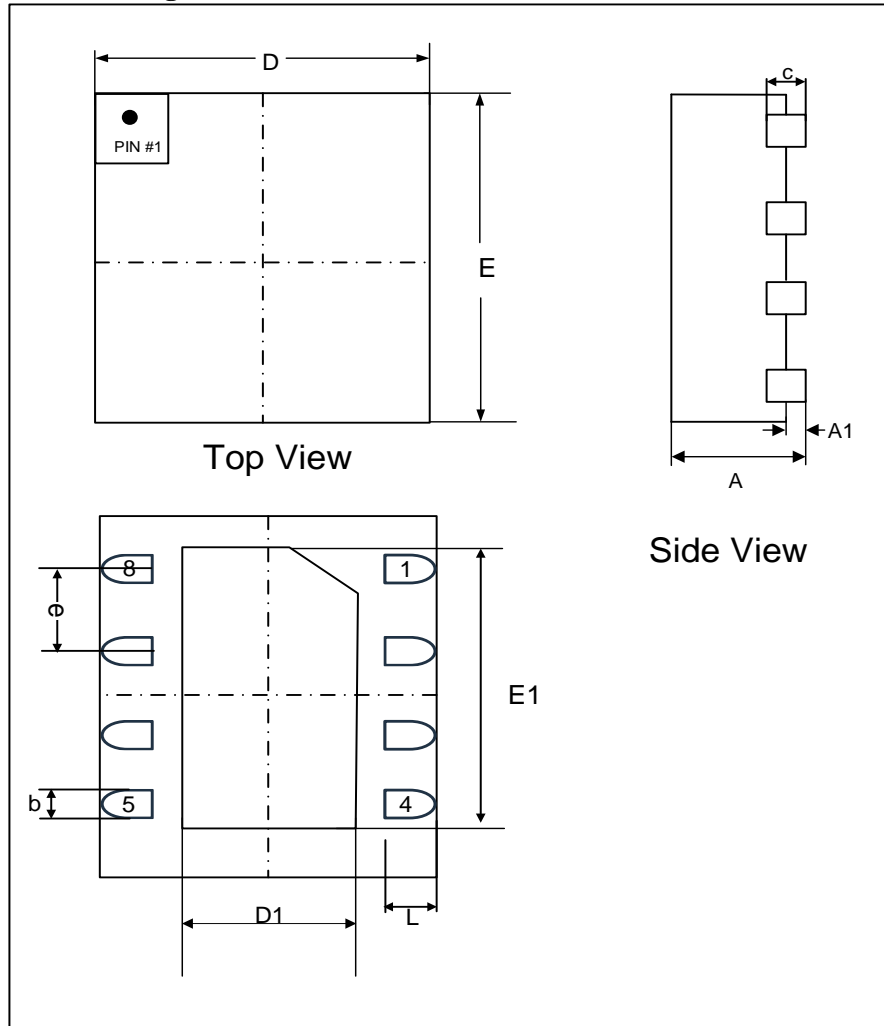
| Symbol | Millimeters | | | Inches | | |
|--------|-------------|------|------|-----------|-------|-------|
| | Min | Nom | Max | Min | Nom | Max |
| A | 1.75 | 2.0 | 2.16 | 0.069 | 0.077 | 0.085 |
| A1 | 0.05 | 0.15 | 0.25 | 0.002 | 0.006 | 0.010 |
| A2 | 1.70 | 1.80 | 1.91 | 0.067 | 0.071 | 0.075 |
| b | 0.35 | 0.42 | 0.48 | 0.014 | 0.017 | 0.019 |
| C | 0.19 | 0.20 | 0.25 | 0.007 | 0.008 | 0.010 |
| D | 5.18 | 5.28 | 5.38 | 0.204 | 0.208 | 0.212 |
| D1 | 5.13 | 5.23 | 5.33 | 0.202 | 0.206 | 0.210 |
| E | 5.18 | 5.28 | 5.38 | 0.204 | 0.208 | 0.212 |
| E1 | 5.13 | 5.23 | 5.33 | 0.202 | 0.206 | 0.210 |
| e | 1.27 BSC | | | 0.050 BSC | | |
| H | 7.70 | 7.90 | 8.10 | 0.303 | 0.311 | 0.319 |
| L | 0.50 | 0.65 | 0.80 | 0.020 | 0.026 | 0.031 |
| y | --- | --- | 0.10 | --- | --- | 0.004 |
| θ | 0° | --- | 8° | 0° | --- | 8° |

9.2 VSOP 208mil 8L (Package Code R)



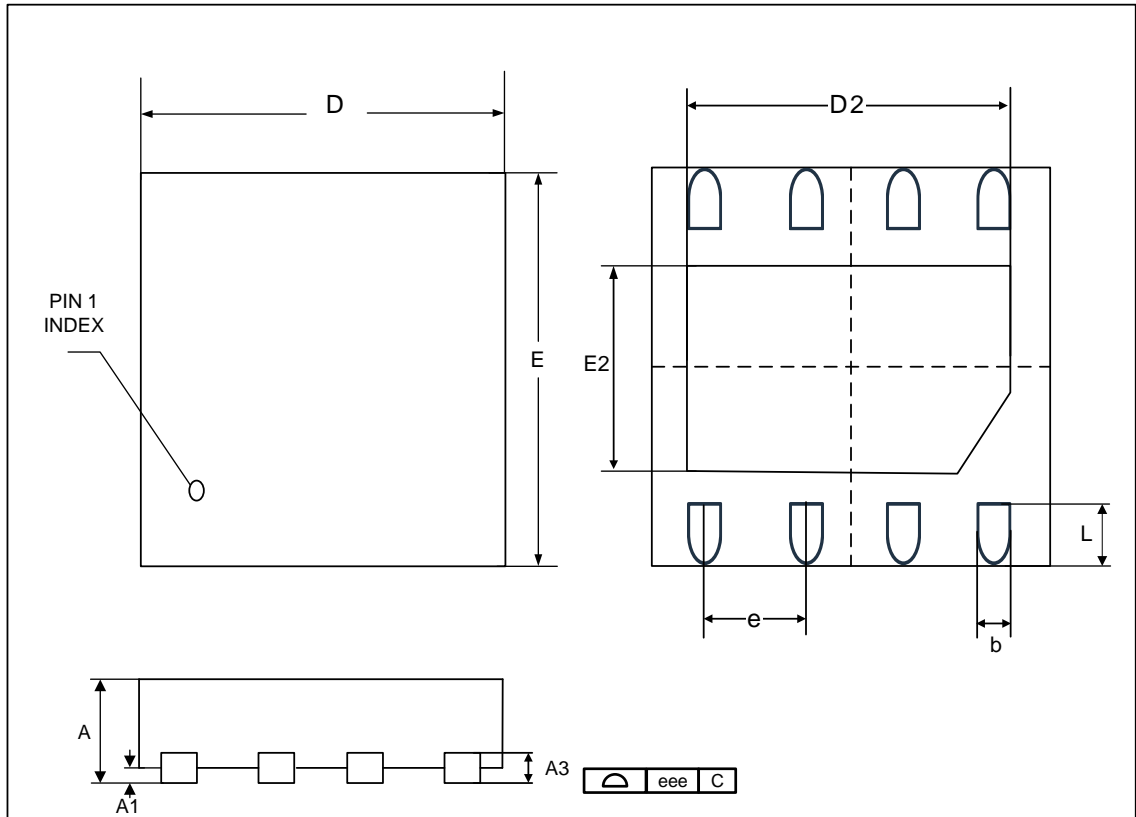
| Symbol | Millimeters | | | Inches | | |
|--------|-------------|------|------|-----------|-------|-------|
| | Min | Nom | Max | Min | Nom | Max |
| A | — | — | 1.00 | — | — | 0.039 |
| A1 | 0.05 | 0.10 | 0.15 | 0.002 | 0.004 | 0.006 |
| A2 | 0.75 | 0.80 | 0.85 | 0.030 | 0.031 | 0.033 |
| b | 0.35 | 0.42 | 0.48 | 0.014 | 0.017 | 0.019 |
| c | 0.127 REF | | | 0.005 REF | | |
| D | 5.18 | 5.28 | 5.38 | 0.204 | 0.208 | 0.212 |
| E | 7.70 | 7.90 | 8.10 | 0.303 | 0.311 | 0.319 |
| E1 | 5.18 | 5.28 | 5.38 | 0.204 | 0.208 | 0.212 |
| e | — | 1.27 | — | — | 0.050 | — |
| L | 0.50 | 0.65 | 0.80 | 0.020 | 0.026 | 0.031 |
| y | — | — | 0.10 | — | — | 0.004 |
| θ | 0° | — | 8° | 0° | — | 8° |

9.3 USON 4x4 8L (Package Code U3)



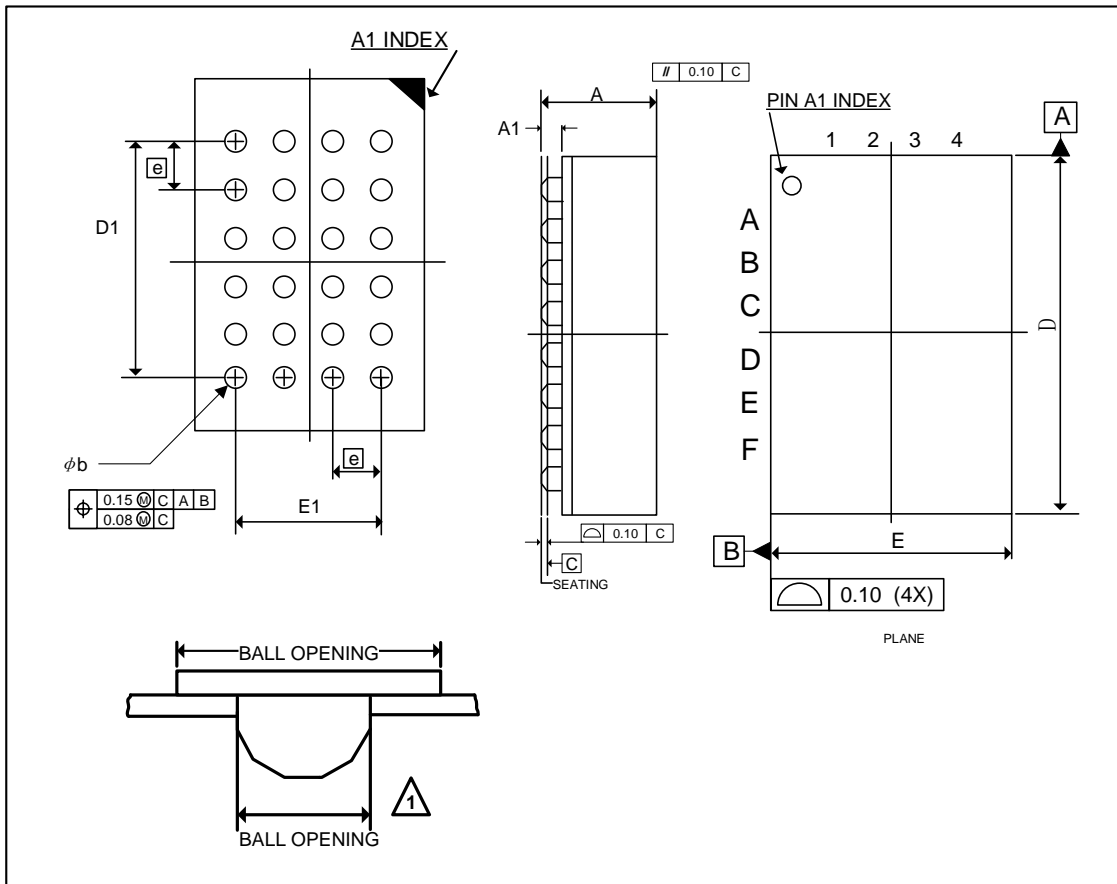
| Symbol | | A | A1 | c | D | D1 | E | E1 | e | L |
|--------|-----|------|------|------|------|------|------|------|------|------|
| Unit | | | | | | | | | | |
| mm | Min | 0.40 | 0.00 | 0.10 | 3.90 | 2.20 | 3.90 | 2.90 | 0.80 | 0.35 |
| | Nom | 0.45 | 0.02 | 0.15 | 4.00 | 2.30 | 4.00 | 3.00 | | 0.40 |
| | Max | 0.50 | 0.05 | 0.20 | 4.10 | 2.40 | 4.10 | 3.10 | | 0.45 |

9.4 WSON 5x6 8L (Package Code W)



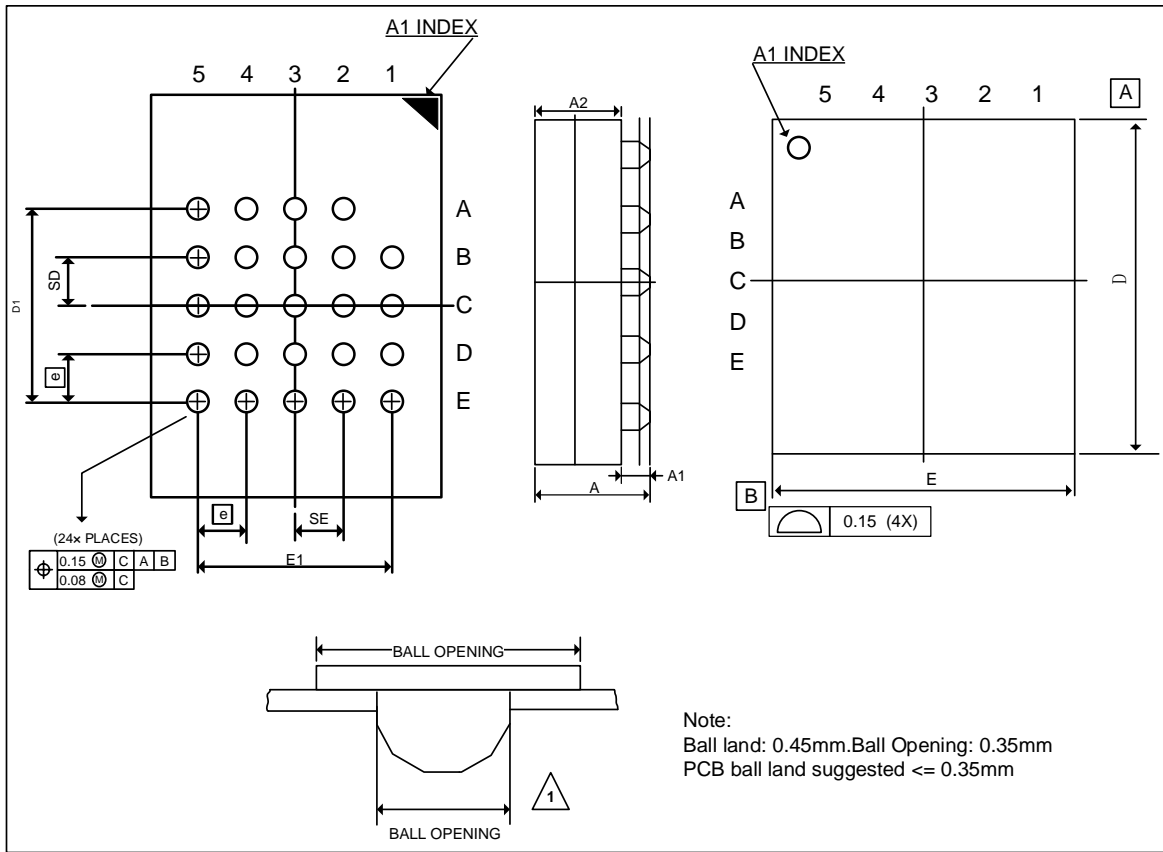
| Symbol | Millimeters | | | Inches | | |
|--------|-------------|-----------|------|-----------|-----------|-------|
| | Min | Nom | Max | Min | Nom | Max |
| A | 0.70 | 0.75 | 0.80 | 0.028 | 0.030 | 0.031 |
| A1 | 0.00 | 0.02 | 0.05 | 0.000 | 0.001 | 0.002 |
| b | 0.35 | 0.40 | 0.45 | 0.014 | 0.016 | 0.018 |
| A3 | --- | 0.203 REF | --- | --- | 0.008 REF | --- |
| D | 4.90 | 5.00 | 5.10 | 0.193 | 0.197 | 0.201 |
| D2 | 4.20 | 4.30 | 4.40 | 0.165 | 0.169 | 0.173 |
| E | 5.90 | 6.00 | 6.10 | 0.232 | 0.236 | 0.240 |
| E2 | 3.30 | 3.40 | 3.50 | 0.130 | 0.134 | 0.138 |
| e | 1.27 BSC | | | 0.050 BSC | | |
| L | 0.50 | 0.60 | 0.70 | 0.020 | 0.024 | 0.028 |
| eee | 0.00 | --- | 0.08 | 0.000 | --- | 0.003 |

9.5 TFBGA 6x8 24ball (Package Code B, 6x4 ball array)



| Symbol | Millimeters | | | Inches | | |
|--------|-------------|------|------|-----------|-------|-------|
| | Min | Nom | Max | Min | Nom | Max |
| A | --- | --- | 1.20 | --- | --- | 0.047 |
| A1 | 0.25 | 0.30 | 0.35 | 0.010 | 0.012 | 0.014 |
| b | 0.35 | 0.40 | 0.45 | 0.014 | 0.016 | 0.018 |
| D | 7.95 | 8.00 | 8.05 | 0.313 | 0.315 | 0.317 |
| D1 | 5.00 BSC | | | 0.197 BSC | | |
| E | 5.95 | 6.00 | 6.05 | 0.234 | 0.236 | 0.238 |
| E1 | 3.00 BSC | | | 0.118 BSC | | |
| e | 1.00 BSC | | | 0.039 BSC | | |

9.6 TFBGA 6x8 24ball (Package Code B2, 5x5 ball array)



| Symbol | Millimeters | | | Inches | | |
|--------|-------------|------|------|-----------|-------|--------|
| | Min | Nom | Max | Min | Nom | Max |
| A | --- | --- | 1.20 | -- | --- | 0.047 |
| A1 | 0.26 | 0.31 | 0.36 | 0.010 | 0.012 | 0.014 |
| A2 | --- | 0.85 | --- | --- | 0.033 | --- |
| b | 0.35 | 0.40 | 0.45 | 0.014 | 0.016 | 0.018 |
| D | 7.90 | 8.00 | 8.10 | 0.311 | 0.315 | 0.319 |
| D1 | 4.00 BSC | | | 0.157 BSC | | |
| E | 5.90 | 6.00 | 6.10 | 0.232 | 0.236 | 0.240 |
| E1 | 4.00 BSC | | | 0.157 BSC | | |
| SE | 1.00 TYP | | | 0.039 TYP | | |
| SD | 1.00 TYP | | | 0.039 TYP | | |
| e | 1.00 BSC | | | 0.039 BSC | | |
| ccc | --- | --- | 0.10 | --- | --- | 0.0039 |

Revisions List

| Revision NO | DESCRIPTION | Date |
|-------------|--|------------|
| 0.1 | preliminary version | 12/27/2019 |
| 1.0 | Remove preliminary Datasheet | 11/25/2020 |
| 1.1 | Change Tclkx Value From 0ns to 1ns in P94 & P96 | 03/25/2021 |
| 1.2 | correct the 33h Quad Page Program typo error in Instruction Set Table 2 In P26 | 01/18/2022 |
| 1.3 | Correct arrow Direction Figure3 in P13 | 02/18/2022 |
| 1.4 | 1.Delete Tpu in Table 8.3 in P90 2.Update Figure 45a. Power-up Timing and Voltage Levels in P90 3.Add Figure 45C. Power-Down Requirement in P91 | 06/13/2022 |
| 1.5 | Change Clock High, Low Time Value From 4ns to 45%PC. ns in P95&P97 | 07/04/2022 |
| 1.6 | 1.Add Only in SPI mode in figure 34 in P66 2.Correct the Erase/Program suspend description in P55 3.Add but the Wrap Length setting will reset to default in P84 4.Delete Continuous Read Mode bit setting (M7-M0) in P86 5. Correct some typo error in P31,P35,P37,P38,P81 6.Correct the figure 29 in P61 and figure 33 a&b in P65 and figure 3 in P13 | 07/27/2022 |
| 1.7 | 1. Update tERS in SFDP in P71 and AC&DC table in P94&P96 | 03/30/2023 |

Important Notice

XMC products are not designed, intended, authorized or warranted for use as components in systems or equipment intended for surgical implantation, atomic energy control instruments, airplane or spaceship instruments, transportation instruments, traffic signal instruments, combustion control instruments, or for other applications intended to support or sustain life. Furthermore, *XMC* products are not intended for applications wherein failure of *XMC* products could result or lead to a situation where in personal injury, death or severe property or environmental damage could occur. *XMC* customers using or selling these products for use in such applications do so at their own risk and agree to fully indemnify *XMC* for any damages resulting from such improper use or sales.

Information in this document is provided solely in connection with XMC products. XMC reserves the right to make changes, corrections, modifications or improvements to this document and the products and services described herein at any time, without notice.

*Please note that all data and specifications are subject to change without notice.
All the trademarks of products and companies mentioned in this datasheet belong to their respective owners.*